

R Convertible Filter Housings Use Either Bags or Cartridges

You can switch from one to the other instantly

The emergence of new, more effective filter bag materials has challenged the popular filter cartridge. Filter bags are now an attractive, economical alternative to cartridges in many applications. Bags cost less, are easier to install and remove, and require less room in storage and disposal.

The convertible filter housings from Rosedale offer you the ability to use filter bags in place of cartridges without burning your bridges behind you. You can always change back to cartridges, for whatever reason.

Features

- Permanently piped housings—no repiping necessary for change-over
- Covers are O-ring sealed
- Designed for standard double open-end type cartridges. Can also be supplied adapted to other cartridge-end configurations
- Carbon steel, 304 or 316 stainless steel construction for housing
- All housings are electropolished to resist adhesion of dirt and scale
- ASME code stamp is available
- Adjustable-height legs are included
- V-post spring seal for both options are in 316 stainless steel

Options

- Filter bag hold-down devices
- Sanitary construction
- Different outlet connection
- Higher pressure ratings
- Extra-length legs
- Heat jacketing
- Duplex units

Flow Rates

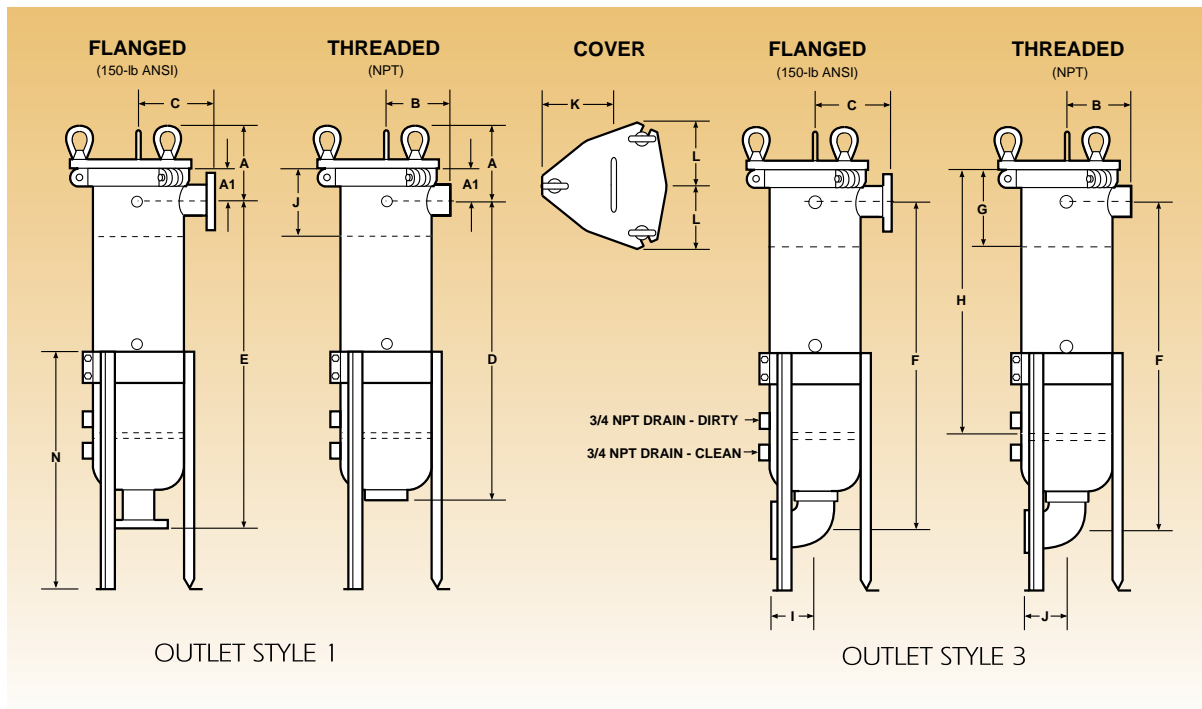
Rosedale's convertible filter housings are offered in two diameters to hold 3 and 5 cartridges, respectively. The 3-cartridge housings are nominally rated at 70 gpm*. The 5-cartridge Series housings are nominally rated at 100 gpm*. These ratings are governed by the restrictive openings in the cartridge support plate. They do not take into account the pressure drops imposed by the bags or cartridges used.



Pictured is a Model 6330. It can hold three 30-in. long cartridges (shown inserted) or a filter bag and support basket (at left). The two 3/4-in. ports at the bottom of the housing are 1) a dirty liquid drain (upper port), and 2) a clean liquid drain (lower port). The dirty liquid drain need not be used when filter bags are employed; if bags are properly removed, no dirt washes off downstream. (The use of a liquid displacer makes this easier to do.)

*30-inch cartridge

Dimensions (IN)



Dimensions (IN)

Model	Pipe Size	A	A1	B	C	D	E	F	G	H	I	J
6320	1	6.3	2.5	4.3	6.0	26.3	28.5	21.0	26.8	4.6	22.8	5.0
	1-1/4	6.3	2.5	4.3	6.0	26.3	28.5	21.0	27.2	4.6	22.8	5.0
	1-1/2	6.3	2.5	4.3	6.0	26.3	28.5	21.0	27.6	4.6	22.8	5.0
	2	7.1	3.4	4.3	6.0	25.4	28.5	19.5	27.4	5.8	22.8	5.0
	3	7.1	3.4	4.3	6.0	25.6	28.5	19.0	28.7	5.8	22.8	7.3
6330	1	6.3	2.5	4.3	6.0	36.3	38.5	31.0	36.8	4.6	32.8	5.0
	1-1/4	6.3	2.5	4.3	6.0	36.3	38.5	31.0	37.2	4.6	32.8	5.0
	1-1/2	6.3	2.5	4.3	6.0	36.3	38.5	31.0	37.6	4.6	32.8	5.0
	2	7.1	3.4	4.3	6.0	35.4	38.5	29.5	37.4	5.8	32.8	5.0
	3	7.1	3.4	4.3	6.0	35.8	38.5	29.0	38.7	5.8	32.8	7.3
8520	3/4	7.75	4.0	5.3	7.5	30.0	32.3	30.3	4.8	25.8	5.0	1.9
	1	7.75	4.0	5.3	7.5	30.0	32.3	30.6	4.8	25.8	5.0	2.5
	1-1/4	7.75	4.0	5.3	7.5	30.0	32.3	31.0	4.8	25.8	5.0	2.9
	1-1/2	7.75	4.0	5.6	7.5	30.0	32.3	31.4	4.8	25.8	5.0	3.3
	2	7.75	4.0	5.88	7.5	30.0	32.3	32.1	4.8	25.8	5.0	4.0
	3	7.75	4.0	6.7	7.5	30.6	31.8	33.5	6.5	25.8	7.3	6.1
8530	3/4	7.75	4.0	5.3	7.5	42.3	42.3	40.3	4.8	35.8	5.0	1.9
	1	7.75	4.0	5.3	7.5	42.3	42.3	40.6	4.8	35.8	5.0	2.5
	1-1/4	7.75	4.0	5.3	7.5	42.3	42.3	41.0	4.8	35.8	5.0	2.9
	1-1/2	7.75	4.0	5.6	7.5	42.3	42.3	41.4	4.8	35.8	5.0	3.3
	2	7.75	4.0	5.88	7.5	42.3	42.3	42.1	4.8	35.8	5.0	4.0
	3	7.75	4.0	6.7	7.5	41.8	41.6	43.5	6.5	35.8	7.3	6.1

How To Order

Build an ordering code as shown in the example. Each option is available only on the model series indicated in the colored blocks preceding its description.

Key To Blocks

6 = Series 6300

8 = Series 8500

Example: **6330 -1P-1-150 - C - B - N - BM 200-D-C**

Housing **Options**

HOUSING SIZE/CAPACITY

6 Three 20-in. cartridges or one 5.6-in. dia. x 21-in. bag = **6320**

6 Three 30-in. cartridges or one 5.6-in. dia. x 32-in. bag = **6330**

8 Five 20-in. cartridges or one 7-in. dia. x 16.5-in. bag = **8520**

8 Five 30-in. cartridges or one 7-in. dia. x 32-in. bag = **8530**

PIPE SIZE, NPT & FLANGED¹

6 8 3/4-in. female NPT = **3/4P**

6 8 1-in. female NPT = **1P**

6 8 1-1/4-in. female NPT = **1-1/4P**

6 8 1-1/2-in. female NPT = **1-1/2P**

6 8 2-in. female NPT = **2P**

6 8 3-in. female NPT = **3P**

6 8 3/4-in. 150 class ANSI flange = **3/4F**

6 8 1-in. 150 class ANSI flange = **1F**

6 8 1-1/4-in. 150 class ANSI flange = **1-1/4F**

6 8 1-1/2-in. 150 class ANSI flange = **1-1/2F**

6 8 2-in. 150 class ANSI flange = **2F**

6 8 3-in. 150 class ANSI flange = **3F**

OUTLET STYLE

6 8 Bottom = **1**

6 8 Bottom elbow = **3**

PRESSURE RATING²

8 150 psi (NPT and flanged) = **150**

6 300 psi (NPT and flanged) = **300**

HOUSING MATERIAL

6 8 Carbon steel = **C**

6 8 304 stainless steel = **S**

6 8 S316 stainless steel = **S316**

ASME CODE STAMP

6 8 **C** = Code

DISPLACER³

6 8 **D** = Displacer

BASKET MEDIA SIZE

No symbol if type B basket was selected

6 8 Perforations diameters (for type P baskets) **1/4, 3/16, 9/64, 3/32, 1/16**

6 8 Mesh sizes (for type M and BM baskets) **20, 30, 40, 50, 60, 80, 100, 150, 200**

FILTER BAG BASKET⁴

6 8 **PB** = Filter bag basket, 9/64 perforations⁴

6 8 **P** = Strainer basket, perforated metal

6 8 **BM** = Filter bag basket, perforated, mesh lined⁴

6 8 **M** = Strainer basket, perforated, mesh lined

6 8 **HWM** = Filter bag basket, heavy wire mesh⁴

BASKET SEAL

6 **N** = None (Series 6300)

8 **S** = Seal (Series 8500)

COVER SEAL

6 8 **B** = Buna N

6 8 **E** = Ethylene Propylene

6 8 **V** = Viton[®]

6 8 **TEV** = Teflon[®] Encapsulated Viton[®]

6 8 **TSW** = Teflon[®](solid white)

Note: All housings include a full set of spring caps and springs, and knife-edge cups.

1. Flanges provided with the housing match the pressure rating of the vessel. Housings rated 150 psi have 150 class flanges. Housings rated 300 psi have 300 class flanges. ANSI B16.5 Pressure/Temperature Rating Tables determine flange class for ASME code housings. Consult factory.
2. Higher pressure ratings available. Consult factory.
3. Displacers only usable with filter bag baskets.
4. Filter bags are specified separately. See pages 134.