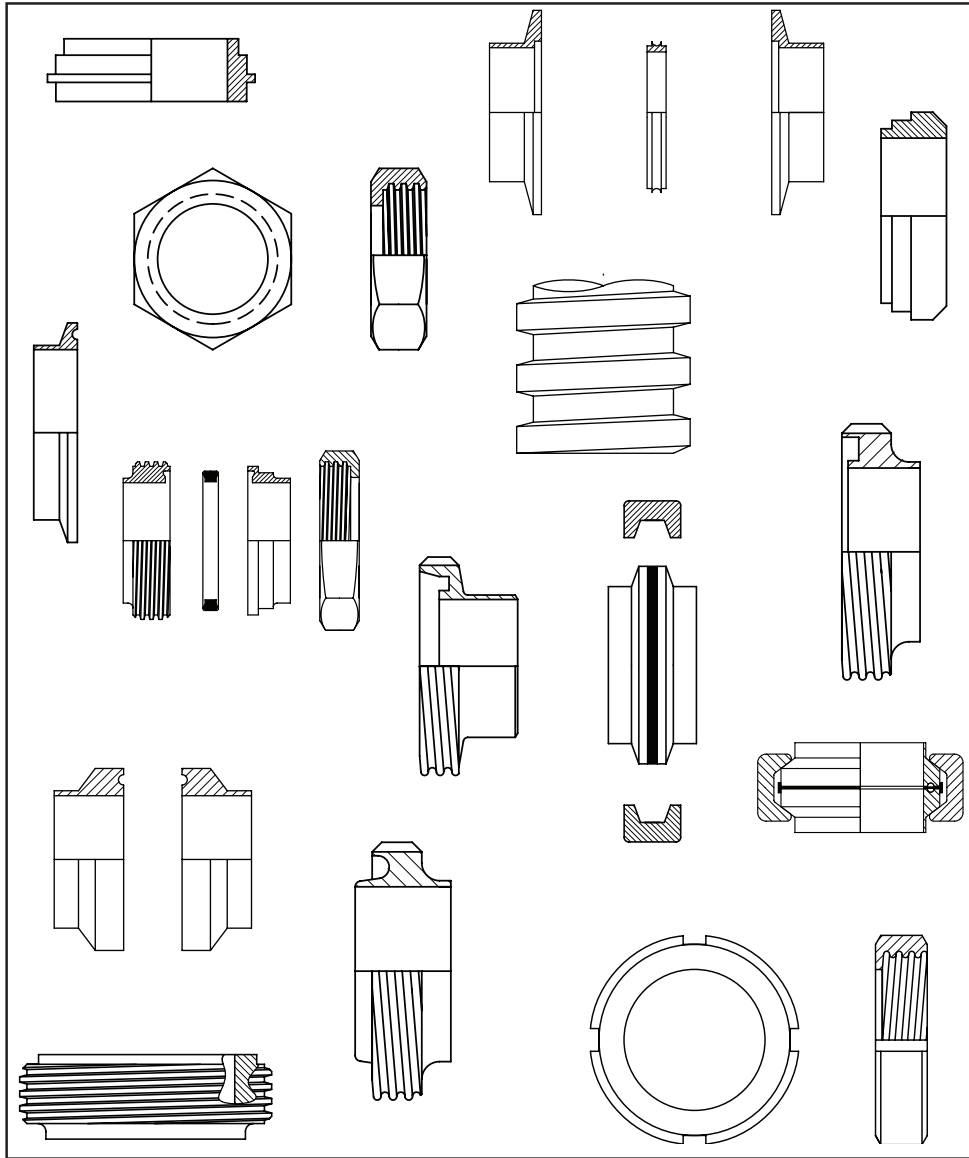




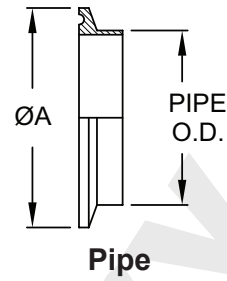
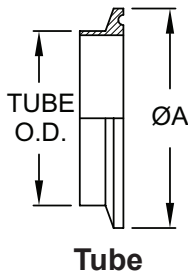
The Right Connection®



Dixon Sanitary

Sanitary Fittings Identification

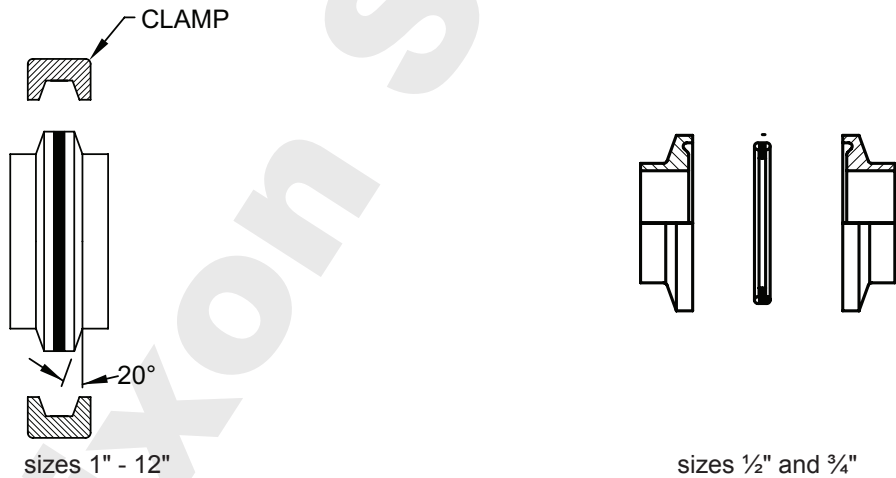
Clamp Ferrules



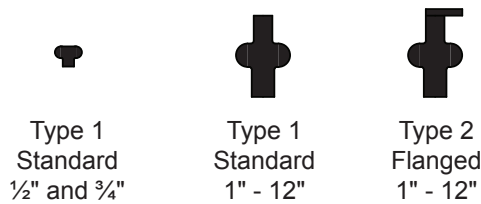
Note: flanges are symmetrical

Tube OD (inches)	ØA	Pipe Size (inches)	Pipe OD (inches)	ØA
1/2	.992	1	1.315	1.984
3/4	.992	1 1/4	1.660	2.516
1	1.984	1 1/2	1.900	2.516
1 1/2	1.984	2	2.375	3.047
2	2.516	2 1/2	2.875	3.579
2 1/2	3.047	3	3.500	4.125
3	3.579	4	4.500	5.125
4	4.682	6	6.625	7.195
5	5.687	8	8.625	9.200
6	6.570			
8	8.602			
10	10.570			
12	12.570			

Clamp Connection

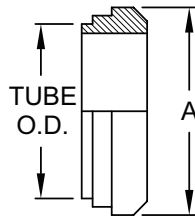


Gaskets



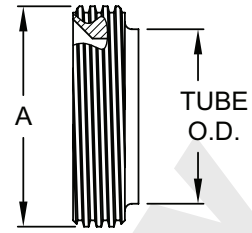
same as BS4B25 part 3

Bevel Seat Ferrules



Plain Bevel Seat

Tube OD (inches)	ØA
1	1.312
1½	1.848
2	2.380
2½	2.912
3	3.444
4	4.508

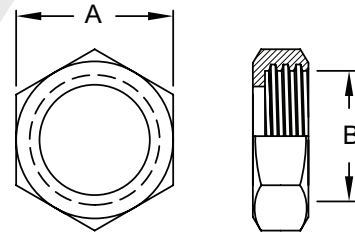


Threaded Bevel Seat

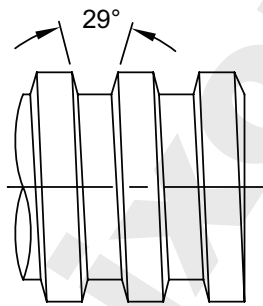
Tube OD (inches)	ØA
1	1.462
1½	1.994
2	2.526
2½	3.058
3	3.590
4	4.695

13H Hex Nuts

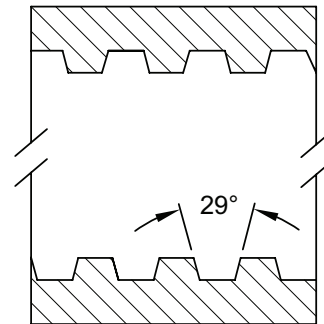
Tube OD (inches)	A Across Flats	B Thread ID	Threads Per Inch
1	1.812	1.362	8
1½	2.406	1.894	8
2	3.000	2.426	8
2½	3.594	2.958	8
3	4.188	3.490	8
4	5.438	4.554	6



Acme Thread Form



male thread

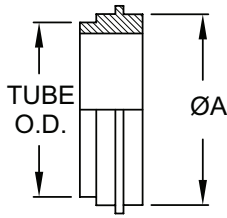


female thread

Gasket

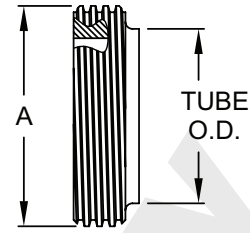


John Perry Ferrules



Plain Ferrules

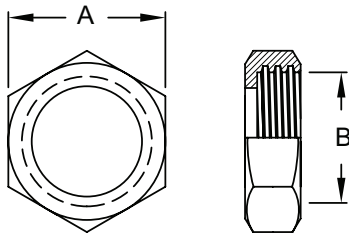
Tube OD (inches)	ØA
1	1.125
1½	1.656
2	2.187
2½	2.656
3	3.187
4	4.187



Threaded Ferrules

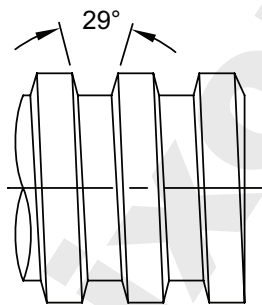
Tube OD (inches)	ØA
1	1.462
1½	1.994
2	2.526
2½	3.058
3	3.590
4	4.695

13H Hex Nuts

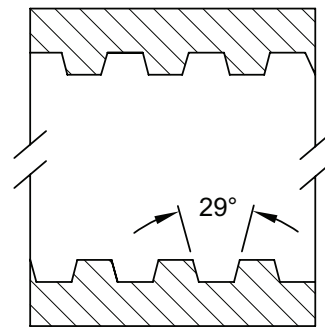


Tube OD (inches)	A Across Flats	B Thread ID	Threads Per Inch
1	1.812	1.362	8
1½	2.406	1.894	8
2	3.000	2.426	8
2½	3.594	2.958	8
3	4.188	3.490	8
4	5.438	4.554	6

Acme Thread Form



male thread

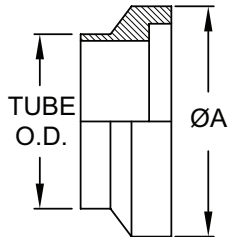


female thread

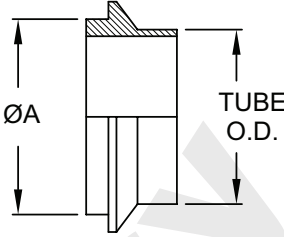
Gasket



I-Line Ferrules



Female Ferrules

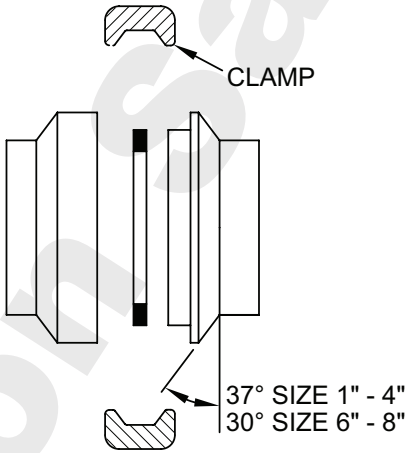


Male Ferrules

Tube OD (inches)	ØA
1	1.985
1½	1.985
2	2.640
2½	3.307
3	3.870
4	4.870
6	7.495
8	9.945

Tube OD (inches)	ØA
1	1.250
1½	1.740
2	2.240
2½	2.740
3	3.300
4	4.297
6	6.830
8	8.830

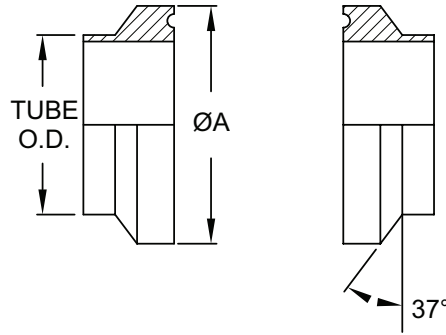
Clamp Connection



Gasket



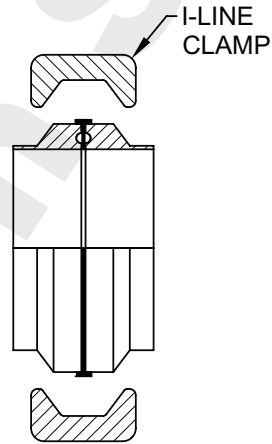
Q-Line Ferrules



Note: flanges are symmetrical

Tube OD (inches)	ØA
1	1.985
1½	1.985
2	2.640
2½	3.307
3	3.870
4	4.870

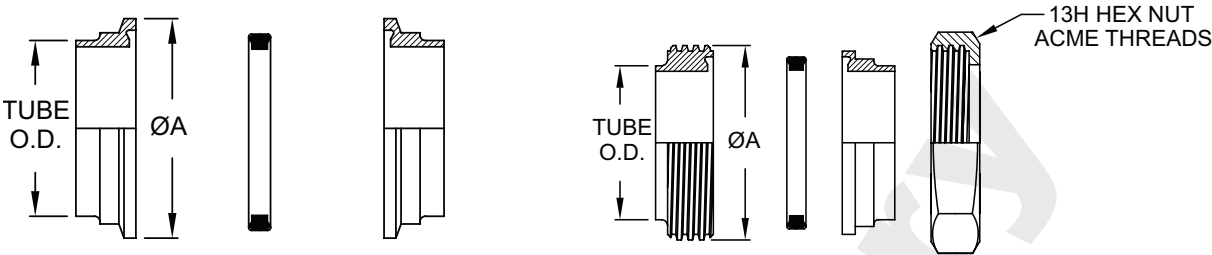
Clamp Connection



Gasket



APC Ferrules



Note: flanges are symmetrical, use standard clamps

Clamp Ferrules

Tube OD (inches)	ØA
1	1.98
1½	1.98
2	2.52
2½	3.05
3	3.58
4	4.68

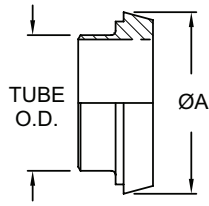
Threaded Ferrules

Tube OD (inches)	ØA
1	1.462
1½	1.994
2	2.526
2½	3.058
3	3.590
4	4.695

Gasket

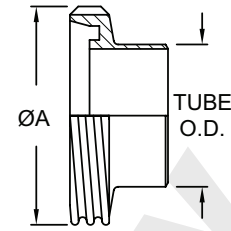


DIN11851 Imperial Couplings



Weld Males

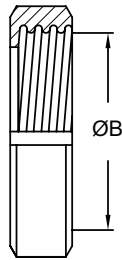
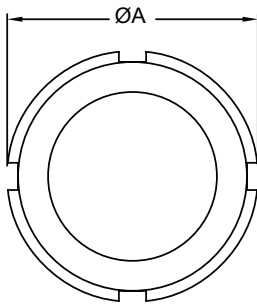
Tube OD (inches)	ØA
1	1.73
1½	2.20
2	2.68
2½	3.39
3	3.94
4	4.76



Weld Liners

Tube OD (inches)	ØA
1	2.04
1½	2.56
2	3.07
2½	3.74
3	4.31
4	5.10

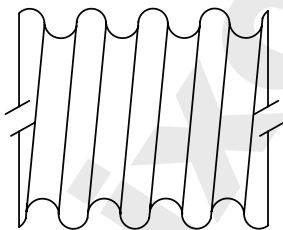
Round Nut



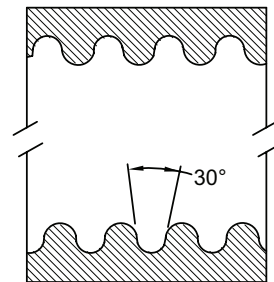
Tube OD (inches)	DN	ØA	B Thread ID	Threads Per Inch
1	25	2.48	1.88	6
1½	40	3.07	2.39	6
2	50	3.62	2.90	6
2½	65	4.41	3.49	6
3	80	5.00	4.14	4
4	100	5.83	4.94	4

Note: nuts 3" and larger will have 6 slots

DIN Thread Form



male thread

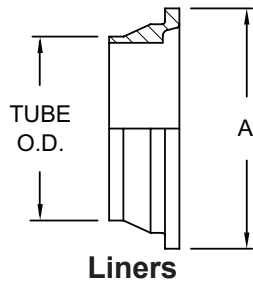


female thread

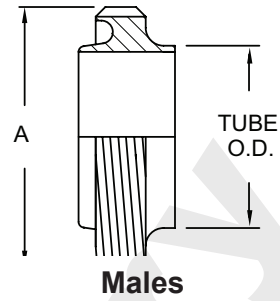
Gasket



RJT Couplings (ring joint type)



Liners



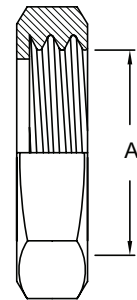
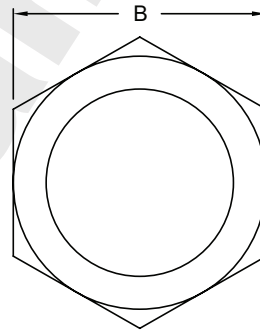
Males

Tube OD (inches)	ØA Thread OD
1	1.63
1½	2.13
2	2.63
2½	3.13
3	3.63
4	4.63

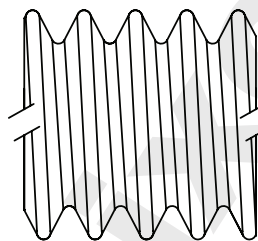
Tube OD (inches)	ØA
1	1.80
1½	2.30
2	2.86
2½	3.36
3	3.86
4	4.86

Nut

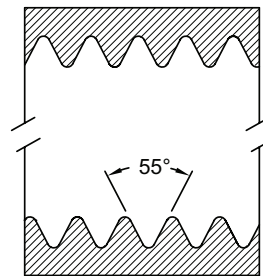
Tube OD (inches)	A Thread ID	B Dimension
1	1.68	2.00
1½	2.18	2.56
2	2.69	3.12
2½	3.19	3.62
3	3.69	4.12
4	4.69	5.12



RJT Thread Form (British Standard Whitworth)



male thread



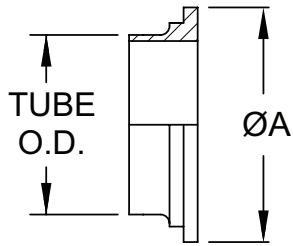
female thread

Gasket



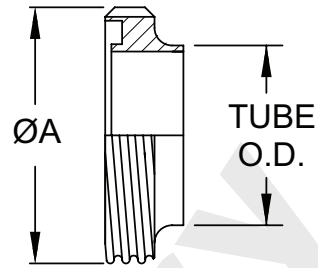
Also known as BSM (British Standard Milk) in Australia modified into Australian CIP Union

SMS Couplings



Weld Liners

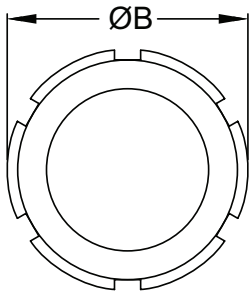
Tube OD (inches)	ØA
1	1.40
1½	2.17
2	2.56
2½	3.15
3	3.66
4	4.65



Weld Males

Tube OD (inches)	ØA
1	1.55
1½	2.34
2	2.74
2½	3.33
3	3.84
4	4.90

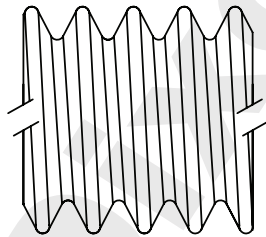
Nut



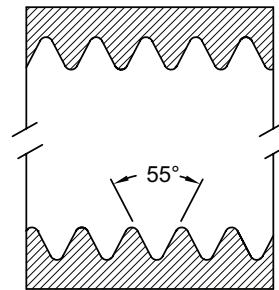
Tube OD (inches)	A Thread ID	B Dimension	Threads Per Inch
1	1.44	2.01	6
1½	2.22	2.91	6
2	2.62	3.31	6
2½	3.21	3.94	6
3	3.72	4.49	6
4	4.72	5.43	4

Note: all nuts have 6 slots

SMS Thread Form



male thread

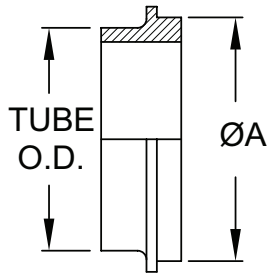


female thread

Gasket

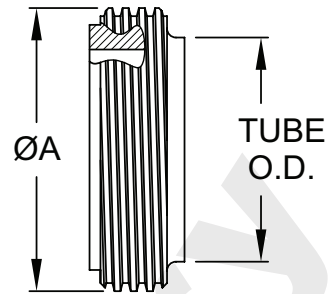


IDF Couplings



Weld Liners

Tube OD (inches)	ØA
1	1.33
1½	1.85
2	2.38
2½	2.91
3	3.44
4	4.75

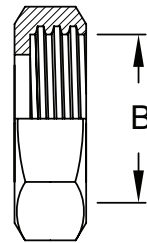
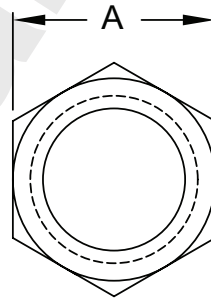


Weld Males

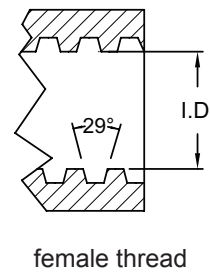
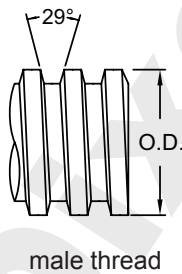
Tube OD (inches)	ØA
1	1.46
1½	1.99
2	2.53
2½	3.06
3	3.59
4	4.96

Nut

Tube OD (inches)	A Across Flats	B Thread ID	Threads Per Inch
1	1.81	1.35	8
1½	2.36	1.88	8
2	2.95	2.42	8
2½	3.54	2.95	8
3	4.13	3.48	8
4	5.24	4.81	6



IDF Thread Form (same as Acme thread form)



Gaskets

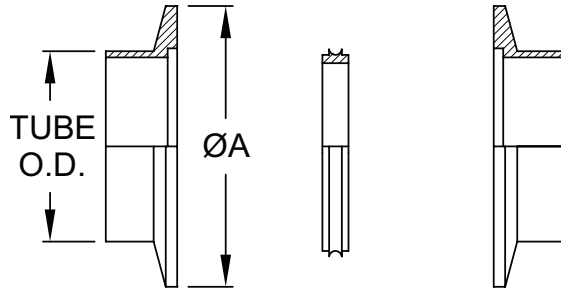


BS4825



ISO

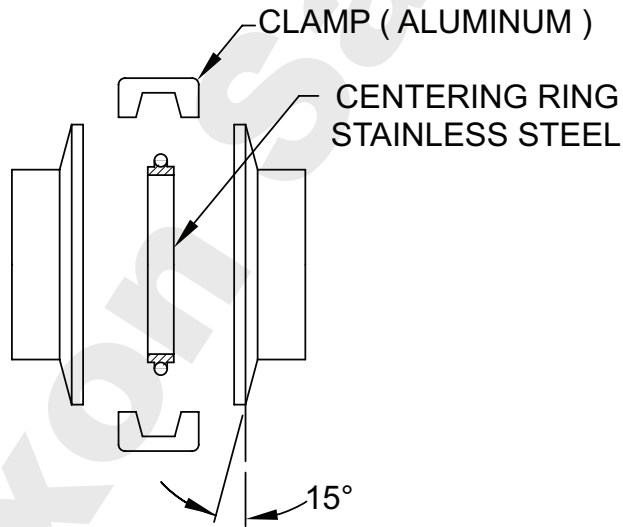
Vacuum Flanges



Note: flanges are symmetrical

Tube OD (inches)	ØA
1/2	1.18
3/4	1.18
1	1.57
1 1/2	2.16
2	2.95

Clamp Connection



Gasket

