

Dixon Sanitary Filter / Strainer



The Right Connection™



Bradford™ Filter/Strainer

Dixon Danitary offers three styles of filter/strainers from stock



Standard Enhancements

- Patented squeeze clamp making assembly and disassembly much easier.
- Interchangeable with most major manufacturers.

What Are Filter / Strainers Used For?

Filter Definition

A filter uses a disposable media to remove finer particulate from the stream. Dixon Sanitary holds Authorization Number 1446 for the 3-A Sanitary Standard for Filters using Single Service Filter Media, Number: 10-4.

Strainer Definition

A strainer is a device used to separate solids from fluids. Here it is used for larger particulate matter from liquid or gas. It uses cleanable media.



Full Flow Filters -

Can be equipped with a variety of filtering media, down to 40 microns, media includes polyester, cotton cheesecloth and nylon mesh. See chart on page 6.



Full Flow Coarse Strainers -

1/4" or 1/8" perforations.



Full Flow Fine/Medium Strainers -

Can be equipped with a variety of mesh screens for removing finer particles (20 to 1130 mesh). See chart on page 6.

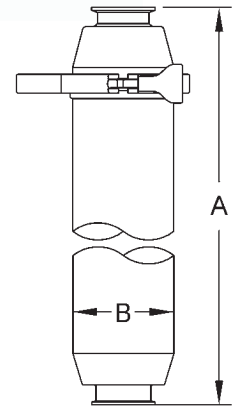
Filters / Strainers

In-line Filter / Strainer - BSCCQ



- In-line units ship standard with the following: spring, distributor cap, clamp gasket, 1/4" perforated back-up tube, inlet and outlet bodies and squeeze clamp
- 1/8" perforated back-up tube available, must specify when ordering
- Bevel seat, I-line and weld ends available, call Dixon Sanitary for information

Size	A short	A long	B	Short Part Number	Long Part Number
1"	15.75	--	4.00	BSCCQ1-R100	---
1½"	15.75	35.75	4.00	BSCCQ1-R150	BSCCQ2-R150
2"	15.75	35.75	4.00	BSCCQ1-R200	BSCCQ2-R200
2½"	15.75	--	4.50	BSCCS1-R250	---
3"	15.75	35.75	4.50	BSCCS1-R300	BSCCS2-R300

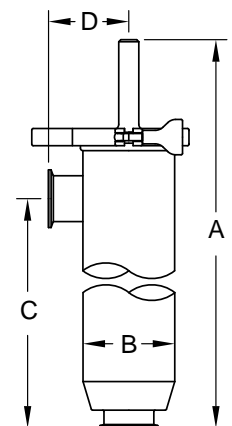


Side-Entry Filter / Strainer - BSCCQ



- Side entry units ship standard with the following: spring, end cap with handle, distributor cap, clamp gasket, 1/4" perforated back-up tube, body and squeeze clamp
- 1/8" perforated back-up tube available, must specify when ordering
- Bevel seat, I-line and weld ends available, call Dixon Sanitary for information

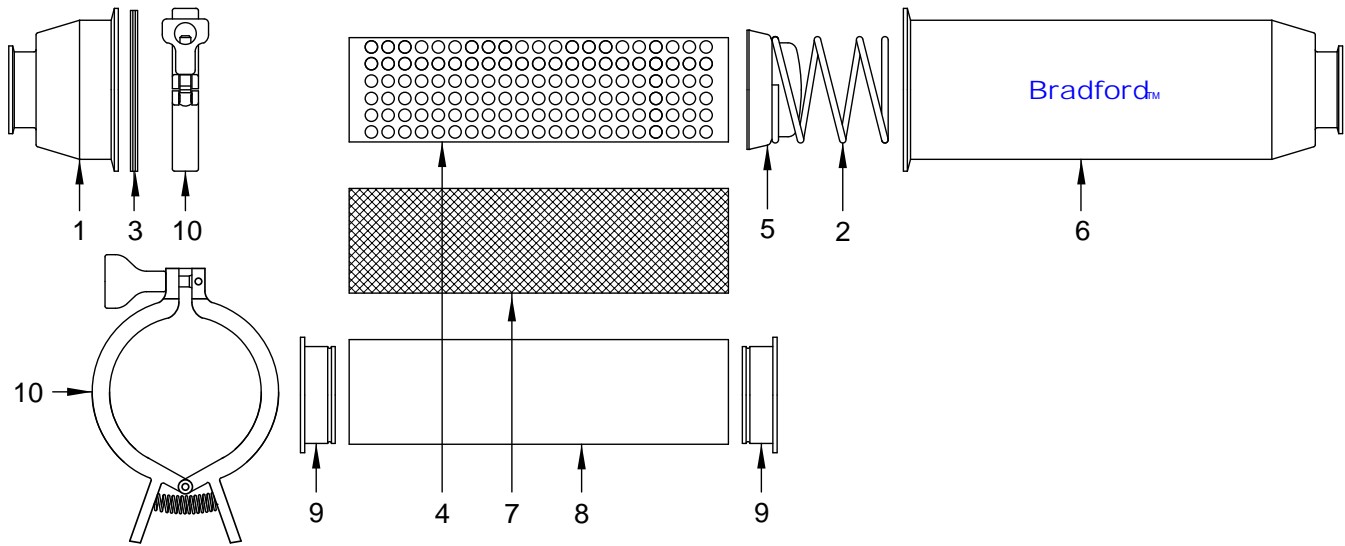
Size	A	B	C	D	Part Number
1½"	41.9	4	35	3½	BSCCQ3-R150
2"	41.9	4	35	3½	BSCCQ3-R200
3"	41.9	4½	35	3¾	BSCCQ3-R300



Dimensions are approximate. Engineering dimensions are available upon request.
Specifications are subject to change without notice.

Inline Filters / Strainers

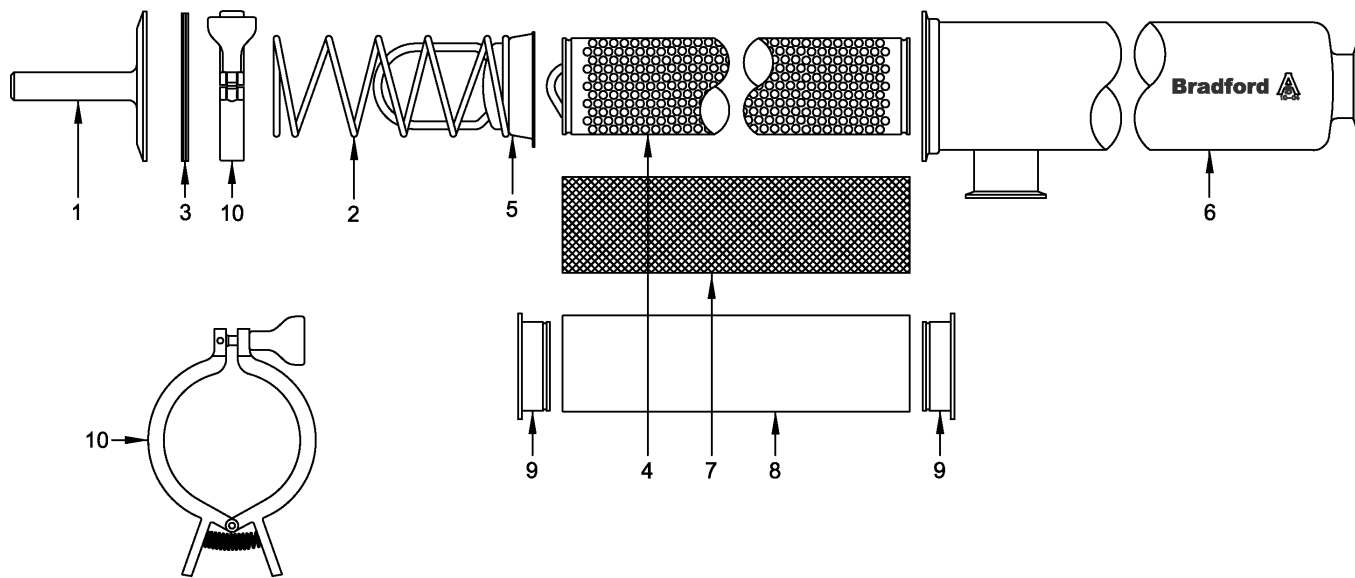
Bill of Materials



Item #	Description	Short Part #	Long Part #	Material	Qty
1	1" strainer outlet	BS-01-R100	---	316L stainless steel	1
	1½" strainer outlet	BS-01-R150			
	2" strainer outlet	BS-01-R200			
	2½" strainer outlet	BS-01-R250	---		
	3" strainer outlet	BS-01-R300			
2	1"-2" strainer spring	BS-02-R100-200		316L stainless steel	1
	2½"-3" strainer spring	BS-02-R250-300			
3	4" clamp gasket	40MP-U400		Buna	1
	4" schedule 5 clamp gasket	40MPV-U400			
4	1"-2" back-up tube with 1/8" perforations	BS-1418-R100200	BS-2418-R100200	316L stainless steel	1
	2½"-3" back-up tube with 1/8" perforations	BS-1418-R250300	BS-2418-R250300		
	1"-2" back-up tube with 1/4" perforations	BS-1425-R100200	BS-2425-R100200		
	2½"-3" back-up tube with 1/4" perforations	BS-1425-R250300	BS-2425-R250300		
5	1"-2" strainer cap	BS-05-R100-200		316L stainless steel	1
	2½"-3" strainer cap	BS-05-R250-300			
6	1" strainer inlet	BS-16-R100	---	316L stainless steel	1
	1½" strainer inlet	BS-16-R150	BS-26-R150		
	2" strainer inlet	BS-16-R200	BS-26-R200		
	2½" strainer inlet	BS-16-R250	---		
	3" strainer inlet	BS-16-R300	BS-26-R300		
7	1"-3" various mesh over screens (short/long)	part number on page 6		316 stainless steel	1
8	1"-3" various filter bag (short/long)	part number on page 6		various	1
9	1"-2" retaining ring used with filter bags	BS-09-U100-200		Buna	2
	2½"-3" retaining ring used with filter bags	BS-09-U250-300			
10	4" squeeze clamp for 1"-2" assembly	13MHHM-Q400		CF8	1
	4" schd. 5 squeeze clamp 2½"-3" assembly	13MHHV-Q400			

Side Entry Filters / Strainers

Bill of Materials



Item #	Description	1½" and 2" Part #	3" Part #	Material	Qty
1	end cap with handle	BS-31-R100-200	BS-31-R250-300	316L stainless steel	1
2	strainer spring	BS-32-R100-200	BS-32-R250-300	316L stainless steel	1
3	clamp gasket	40MP-U400	40MPV-U400	Buna	1
4	back-up tube with 1/8" perforations	BS-1418-R100200	BS-2418-R100200	316L stainless steel	1
	back-up tube with 1/4" perforations	BS-1425-R100200	BS-2425-R100200		
5	distributor cap	BS-35-R100-200	BS-35-R250-300	316L stainless steel	1
6	1½" strainer body	BS-36-R150	---	316L stainless steel	1
	2" strainer body	BS-36-R200	---		
	3" strainer body	---	BS-36-R300		
7	various mesh over screens	part number on page 6		316 stainless steel	1
8	various filter bag	part number on page 6		various	1
9	retaining ring used with filter bags	BS-09-U100-200	BS-09-U250-300	Buna	2
10	squeeze clamp for assembly	13MHHM-Q400	13MHHV-Q400	CF8	1

Filters / Strainers

Replacement Filters

- Filter media are special order and minimum quantities apply. Not included with base unit.

Size	Micron Rating	Description	Short Part Number	Long/Side Entry Part Number
1" - 2"	38	nonwoven rayon (glued seam)	BF30A-100-200	BF302A-100-200
2½" - 3"	38	nonwoven rayon (glued seam)	BF30A-250-300	BF302A-250-300
1" - 2"	513	woven knapped cotton flannel	BF30B-100-200	BF302B-100-200
2½" - 3"	513	woven knapped cotton flannel	BF30B-250-300	BF302B-250-300
1" - 2"	300	cheese cloth, single thickness cotton	BF30C-100-200	BF302C-100-200
2½" - 3"	300	cheese cloth, single thickness cotton	BF30C-250-300	BF302C-250-300
1" - 2"	765	nylon, 26/29 mesh, rectangular opening, (.025 x .030)	BF30D-100-200	BF302D-100-200
2½" - 3"	765	nylon, 26/29 mesh, rectangular opening, (.025 x .030)	BF30D-250-300	BF302D-250-300
1" - 2"	40-42	nonwoven rayon	BF30E-100-200	BF302E-100-200
2½" - 3"	40-42	nonwoven rayon	BF30E-250-300	BF302E-250-300
1" - 2"	<40	nonwoven rayon	BF30F-100-200	BF302F-100-200
2½" - 3"	<40	nonwoven rayon	BF30F-250-300	BF302F-250-300
1" - 2"	420	woven nylon, 40 mesh	BF30G-100-200	BF302G-100-200
2½" - 3"	420	woven nylon, 40 mesh	BF30G-250-300	BF302G-250-300

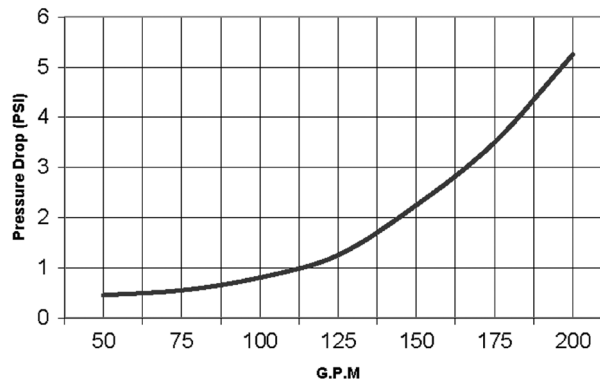
Wire Cloth Mesh Over Screens

- Not all sizes are stocked additional sizes may be available (5 piece minimum), call the factory. Not included with base unit.

Size	Micron Rating	Square Mesh	Space Between Wires	Percent of Open Area	Short Part Number	Long/Side Entry Part Number
1" - 2"	864	20	0.034	46.2	BS20-100-200	BS202-100-200
2½" - 3"	864	20	0.034	46.2	BS20-250-300	BS202-250-300
1" - 2"	381	40	0.015	36.0	BS40-100-200	BS402-100-200
2½" - 3"	381	40	0.015	36.0	BS40-250-300	BS402-250-300
1" - 2"	229	60	0.009	30.3	BS60-100-200	BS602-100-200
2½" - 3"	229	60	0.009	30.3	BS60-250-300	BS602-250-300
1" - 2"	178	80	0.007	31.4	BS80-100-200	BS802-100-200
2½" - 3"	178	80	0.007	31.4	BS80-250-300	BS802-250-300
1" - 2"	140	100	0.006	30.3	BS100-100-200	BS1002-100-200
2½" - 3"	140	100	0.006	30.3	BS100-250-300	BS1002-250-300

Pressure Drop Curves for Filter and Strainer Water at ambient temperature

- maximum flow for short units is 125 GPM



Dual Filters / Strainers

Use when system needs to be cleaned regularly but product flow needs to be maintained. Short, long and side entry dual units are available with manual or actuated valves, contact Dixon Sanitary for information.

Design Using 3-way Ball Valves

Description	Part #	Qty
3-way L port ball valve, sizes 1" to 3"	BV3SVTF	4
Heavy duty clamps, sizes 1" to 3", various styles	13MHMM-Q	4
Clamp gaskets in various materials, 1" to 3"	40MP	4
clamp 90° elbow, sizes 1" to 3"	B2CMP-R	4
clamp gaskets in various materials, sizes 1" to 3"	40MP	8



Design Using Butterfly Valves

Description	Part #	Qty
Clamp true Y, 1" to 3"	B28AMP-R	12
Heavy duty squeeze clamps, sizes 1" to 3", various styles	13MHMM-Q	12
Clamp gaskets in various materials, 1" to 3"	40MP	12
Clamp 45° elbow, sizes 1" to 3"	B2KMP-R	4
Butterfly valve, various handle and seat materials, sizes 1" to 3"	B5101	4



Through its divisions and affiliated companies, Dixon is recognized as the premier manufacturer and supplier of hose fittings and accessories spanning a wide range of industrial uses. Dixon's reach includes products for food, dairy processing, beverage and brewery, mobile tankers, mining, construction, chemical processing, petroleum, oilfields, refining, nuclear and manufacturing.



The Right Connection™

Dixon Sanitary

N25 W23040 Paul Road • Pewaukee, WI 53072

Customer Service: 800.789.1718

Fax: 800.789.4046

www.bradfordittings.com