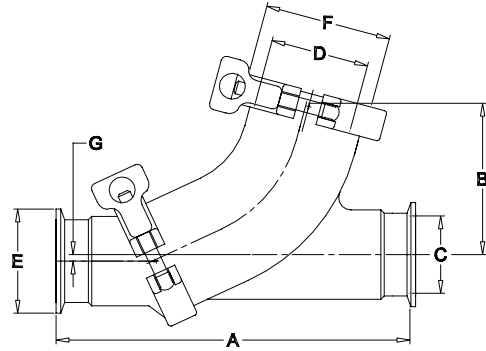


**A**  
**3**  
1447

## Y - Ball Check Valves

### Product Specific tions



When liquid flows through the valve, the ball is forced into the branch of the valve allowing full fluid flow. When the liquid stops, equalizing the pressure, the ball drops back into the seat, preventing backflow. Should reverse flow occur, the differential pressure will cause the ball to seal firmly against the seat preventing leakage.

**Features:**

- 3A Standards 58-00, Check Valves and Vacuum Breakers
- two-piece construction
- replace seat instead of entire valve
- PTFE ball
- field serviceable (no special tools required)
- all metal product contact surfaces are 316L stainless steel construction
- operating temperature range: **15°F to 200°F**
- maximum operating pressure: **150 PSI**

Valve Size	Clamp & Cap Size	A	B	C	D	E	F	G	Ball Diameter	Weight (lbs)	316L Stainless Steel Part Number
1½"	2"	7.50	3.30	1.36	1.87	1.98	2.51	0.16	1.6	4.9	<b>B45BY-R150</b>
2"	2½"	8.50	3.90	1.86	2.33	2.51	3.04	0.16	2.1	6.6	<b>B45BY-R200</b>
2½"	3"	10.00	4.50	2.37	2.87	3.04	3.57	0.16	2.7	10.5	<b>B45BY-R250</b>
3"	4"	11.50	5.30	2.87	3.83	3.57	4.68	0.16	3.6	17.5	<b>B45BY-R300</b>

All dimensions are in inches unless otherwise noted. Engineering dimensions are available upon request. Specifications are subject to change without notice.

### Repair and Seal Kits

Repair Kit contains:

- (1) EPDM cap gasket
- (1) PTFE ball
- (1) EPDM/CF8M seat

Seal kit contains:

- (1) EPDM cap gasket
- (1) EPDM/CF8M seat

FKM Seal kit contains:

- (1) FKM cap gasket
- (1) FKM /CF8M seat

Size	Repair Kit Part Number	Seal Kit Part Number	FKM Seal Kit Part Number	Replacement Ball Only Part Number
1½"	<b>B45BY-RK150</b>	<b>B45BY-SK150</b>	<b>B45BY-SKV150</b>	<b>B45BY-TB150</b>
2"	<b>B45BY-RK200</b>	<b>B45BY-SK200</b>	<b>B45BY-SKV200</b>	<b>B45BY-TB200</b>
2½"	<b>B45BY-RK250</b>	<b>B45BY-SK250</b>	<b>B45BY-SKV250</b>	<b>B45BY-TB250</b>
3"	<b>B45BY-RK300</b>	<b>B45BY-SK300</b>	<b>B45BY-SKV300</b>	<b>B45BY-TB300</b>

**X**

## Y-Ball Check Valves

### Bill of Materials



Item #	Description	Material	Quantity
1	angle body	316L stainless	1
2	inlet body	316L stainless	1
3	single pin clamp	CF8 stainless	2
4	clamp end cap	316L stainless	1
5	cap gasket	EPDM	1
6	ball	PTFE	1
7	seat	EPDM/CF-8M stainless	1

