

Sample Valves

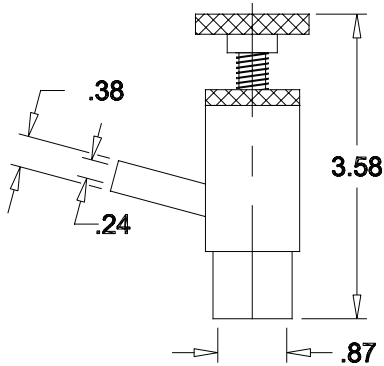
W Series Sample Valves - BSVW*S



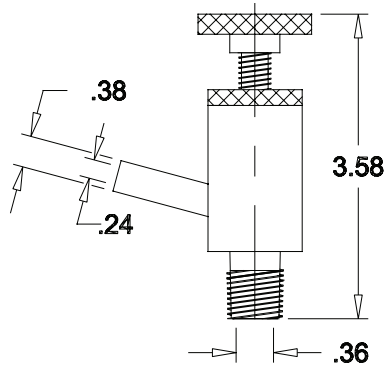
Features:

- 304 stainless steel
- double silicone O-rings
- silicone or PTFE seat ensures a leak-proof shut-off
- surface finish polished to sanitary standards
- temperature rating: **300°F at 200 PSI**

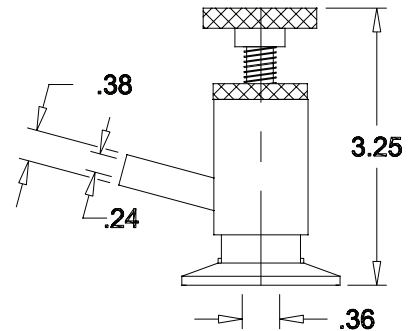
Size	Style	Seat Material	Weight (lbs)	304 Stainless Steel Part Number
3/8"	NPT	silicone	0.72	BSVWNS-G375
3/8"	NPT	PTFE	0.72	BSVWNP-G375
1"	clamp	silicone	0.88	BSVWCS-G100
1"	clamp	PTFE	0.88	BSVWCP-G100
1"	weld	silicone	0.72	BSVWBS-G100
1"	weld	PTFE	0.72	BSVWBP-G100



**BUTTWELD
STYLE**



**NPT
STYLE**



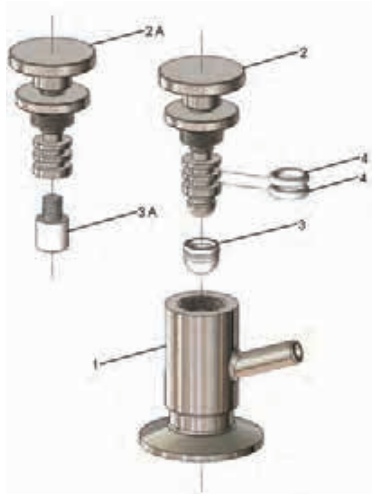
**CLAMP
STYLE**

**ALL VALVES ARE
SHOWN FULLY OPEN**

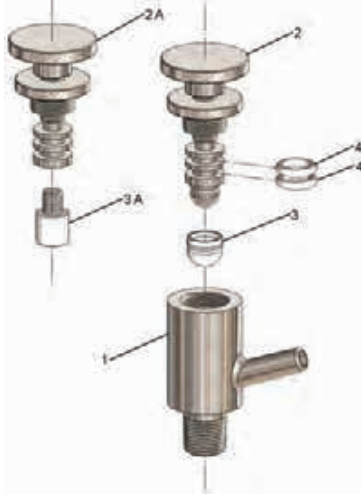
All dimensions are in inches unless otherwise noted. Engineering dimensions are available upon request. Specifications are subject to change without notice.

Sample Valves

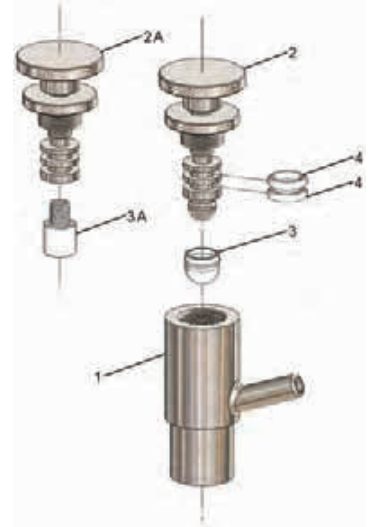
W Series Sample Valves - BSVW*S Bill of Materials



clamp



NPT



weld

Item #	Description	Material	Quantity
1	body - clamp	304 stainless steel	1
1	body - NPT	304 stainless steel	1
1	body - weld	304 stainless steel	1
2	knob / stem assembly	304 stainless steel	1
2A	knob / stem assembly	304 stainless steel	1
3	seat	silicone	1
3A	seat	PTFE	1
4	O-rings	silicone	2

repair kits

BSVW-RKS Repair Kit contains:

- (2) silicone O-rings
- (1) silicone seat

BSVW-RKP Repair Kit contains:

- (2) silicone O-rings
- (1) PTFE seat