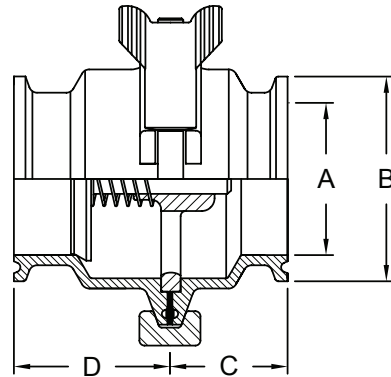




Spring Check Valves

Product Specific tions



Features:

- 3A Standards 58-00, Check Valves and Vacuum Breakers
- full size flow plate
- long stem bushing for increased cycle life
- suitable for low and medium viscosity fluids
- field serviceable (no special tools required)
- various end connections available
- sizes from ½" thru 4"
- operating temperature range: **15°F to 200°F**
- maximum operating pressure: **145 PSI**

Size	A	B	C	D	316L Stainless Steel Part Number	316L Stainless Steel - all FKM Part Number
½"	0.37	0.99	1.10	1.60	B45MP-R50	B45MP-R50V
¾"	0.62	0.99	1.10	1.60	B45MP-R75	B45MP-R75V
1"	0.87	1.99	1.37	1.92	B46MP-R100	B46MP-R100V
1½"	1.37	1.99	1.44	1.92	B46MP-R150	B46MP-R150V
2"	1.87	2.52	1.44	1.92	B46MP-R200	B46MP-R200V
2½"	2.37	3.05	1.44	1.92	B46MP-R250	B46MP-R250V
3"	2.87	3.58	1.44	1.92	B46MP-R300	B46MP-R300V
4"	3.84	4.69	1.88	2.15	B46MP-R400	B46MP-R400V

All dimensions are in inches unless otherwise noted. Engineering dimensions are available upon request.
Specifications are subject to change without notice.

repair kits

Size	Part Number
½"	B45MP-RK050
¾"	B45MP-RK075
1"	B46MP-RK100
1½"	B46MP-RK150
2"	B46MP-RK200
2½"	B46MP-RK250
3"	B46MP-RK300
4"	B46MP-RK400

Size	FKM Part Number
½"	B45MP-RKV050
¾"	B45MP-RKV075
1"	B46MP-RKV100
1½"	B46MP-RKV150
2"	B46MP-RKV200
2½"	B46MP-RKV250
3"	B46MP-RKV300
4"	B46MP-RKV400

Repair Kit contains:

½" - ¾"

- (1) 316L stainless spring
- (1) FKM stem seat
- (1) Buna body O-ring

1" - 4"

- (1) 316L stainless spring
- (1) FKM stem seat
- (1) Buna clamp gasket

FKM Repair Kit contains:

½" - ¾"

- (1) 316L stainless spring
- (1) FKM stem seat
- (1) FKM body O-ring

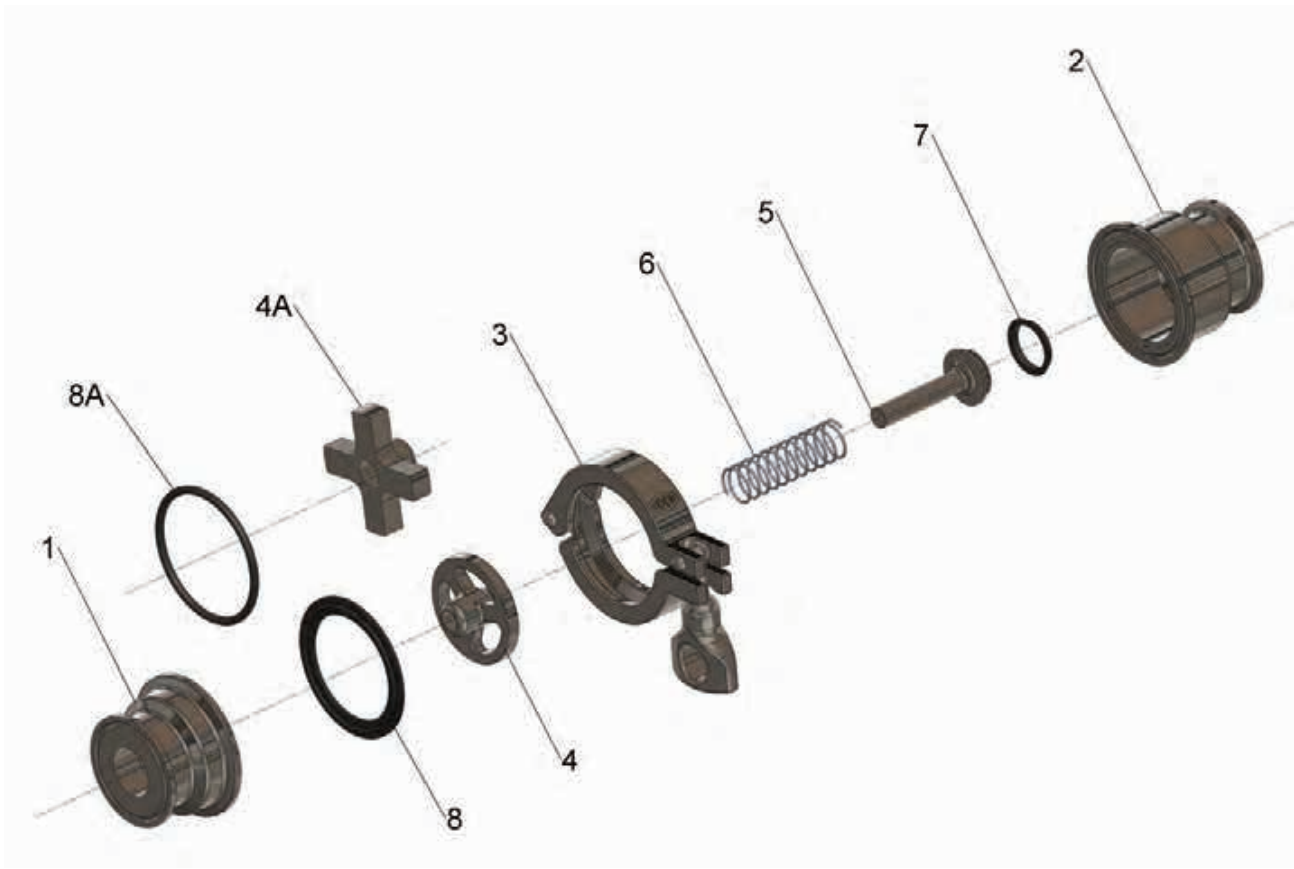
1" - 4"

- (1) 316L stainless spring
- (1) FKM stem seat
- (1) FKM clamp gasket

X

Spring Check Valves

Bill of Materials



Item #	Description	Material	Quantity Required	
			1/2" - 3/4"	1" - 4"
1	upper body housing	316L stainless	1	1
2	lower body housing	316L stainless	1	1
3	single pin clamp	CF8 stainless	1	1
4	flow plate	CF8M stainless	n/a	1
4A	flow plate	CF8M stainless	1	n/a
5	plunger	316L stainless	1	1
6	spring	316L stainless	1	1
7	stem seat	FKM	1	1
8	clamp gasket	Buna	n/a	1
8A	body O-ring	NBR (Buna)	1	n/a

