

Sample Valves

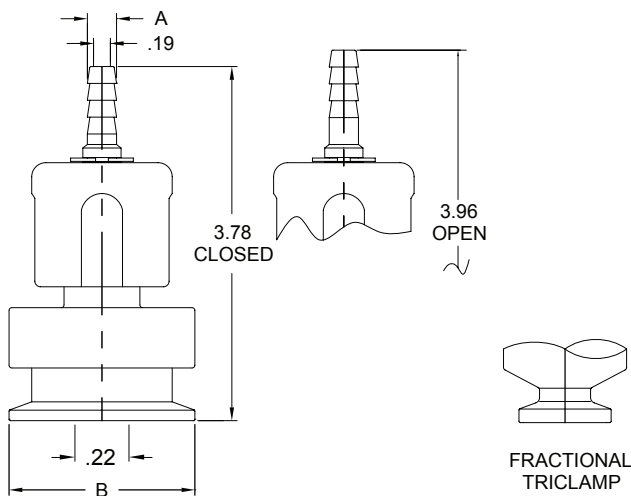
Inline Sample Valves - *BSVICV*



Features:

- all 316L stainless wetted part construction
- standard finish to 20 R_a ID / 32 R_a OD
- FKM O-ring
- fully traceable (material test reports)
- virgin PTFE seat for positive closure
- minimal internal dead-leg area
- sizes available: ½" thru 4"
- temperature rating: 300°F at 200 PSI

Inline Sample Valve Dimensions



Valve Size	Barb A	Ferrule B	Part Number
1/2"	1/4"	0.99	<i>BSVICV-N050025</i>
1/2"	3/8"	0.99	<i>BSVICV-N050375</i>
1/2"	1/2"	0.99	<i>BSVICV-N050050</i>
3/4"	1/4"	0.99	<i>BSVICV-N075025</i>
3/4"	3/8"	0.99	<i>BSVICV-N075375</i>
3/4"	1/2"	0.99	<i>BSVICV-N075050</i>
1"	1/4"	1.98	<i>BSVICV-N100025</i>
1"	3/8"	1.98	<i>BSVICV-N100375</i>
1"	1/2"	1.98	<i>BSVICV-N100050</i>
1-1/2"	1/4"	1.98	<i>BSVICV-N150025</i>
1-1/2"	3/8"	1.98	<i>BSVICV-N150375</i>
1-1/2"	1/2"	1.98	<i>BSVICV-N150050</i>
2"	1/4"	2.52	<i>BSVICV-N200025</i>
2"	3/8"	2.52	<i>BSVICV-N200375</i>
2"	1/2"	2.52	<i>BSVICV-N200050</i>
2-1/2"	1/4"	3.05	<i>BSVICV-N250025</i>
2-1/2"	3/8"	3.05	<i>BSVICV-N250375</i>
2-1/2"	1/2"	3.05	<i>BSVICV-N250050</i>
3"	1/4"	3.58	<i>BSVICV-N300025</i>
3"	3/8"	3.58	<i>BSVICV-N300375</i>
3"	1/2"	3.58	<i>BSVICV-N300050</i>
4"	1/4"	4.68	<i>BSVICV-N400025</i>
4"	3/8"	4.68	<i>BSVICV-N400375</i>
4"	1/2"	4.68	<i>BSVICV-N400050</i>

All dimensions are in inches unless otherwise noted. Engineering dimensions are available upon request. Specifications are subject to change without notice.

Sample Valves

Inline Sample Valves - *BSVICV* Bill of Materials



Item #	Description	Material	Quantity
1	body	316L stainless steel	1
2	knob	ULTEM (FDA)	1
3	stem	316L stainless / PTFE	1
4	E-clip	304 stainless steel	1
5	O-ring	FKM	1
6	body pin	316L stainless steel	1

repair kits

Size	Part Number
1/4"	<i>BSVI-NRKS025</i>
3/8"	<i>BSVI-NRKS038</i>
1/2"	<i>BSVI-NRKS050</i>

Repair Kit contains:
 (1) stem assembly
 (1) FKM O-ring
 (1) 316 stainless steel stop pin
 (1) 304 stainless steel E-clip

