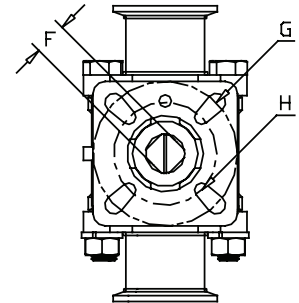
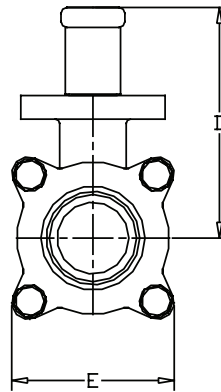
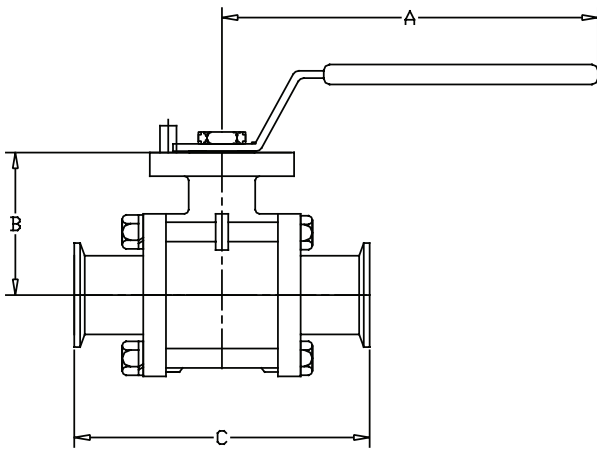


2-Way Encapsulated Sanitary 3 Piece Stainless Steel Ball Valves



Features:

- ½" - 2" rated at **1,000 PSI WOG**; 2½" - 4" rated at **800 PSI WOG**
- balanced encapsulated construction minimizes cold flow
- live-loaded stem packing
- precision stainless steel balls reduce torque and friction losses while extending seat life
- integral ISO 5211 mounting pad
- ID polish is R_a 32 minimum
- lockable handle can prevent accidental actuation
- standard internal entry blow out proof stem design
- full port design matches ball and seat ports to tube ID for lower pressure drop and less turbulent flow
- compact design for areas with tight space restrictions
- fully encapsulated construction produces bubble tight seal
- identification tagging available



Size	A	B	C	D	E	F (mm)	G	H
½"	4.9	1.5	4.3	3.0	1.9	9	F04	F03
¾"	4.9	1.8	4.7	3.3	2.2	9	F04	F03
1"	5.6	2.1	4.9	3.6	2.4	11	F05	F04
1½"	9.5	2.7	5.6	4.4	3.1	14	F07	F05
2"	9.5	3.1	6.4	4.8	3.7	14	F07	F05
2½"	18.0	3.8	7.8	5.2	4.8	17	F10	F07
3"	18.0	4.2	9	5.7	5.4	17	F10	F07
4"	18.0	5.3	9.5	6.8	8.8	22	F12	F10

Dimensions are approximate. Engineering dimensions are available upon request.
Specifications are subject to change without notice.

V

Handle Kits

Size	Part Number
½" - ¾"	BV-23-HA050-075
1"	BV-23-HA100
1½" - 2"	BV-23-HA150-200
2½"	BV-23-HA250
3" - 4"	BV-23-HA300-400

- kit contains:
- (1) lock washer
 - (1) handle
 - (1) nut

- private label handle covers available, see page 218

Repair Kits

- kit contains:
- (1) O-ring
 - (1) thrust washer
 - (3) stem packings
 - (2) encapsulated seats
 - (2) body seals

- see page 209 for part numbers

2-Way Encapsulated Sanitary 3 Piece Stainless Steel Ball Valves

Size	Ball Valve Part #	Repair Kit Part #	Break Torque (in-lb)	Code ID	Seat material
1/2"	BV2CV-050CC-A	BV-2C-VK050	31	V	Virgin PTFE
3/4"	BV2CV-075CC-A	BV-2C-VK075	47		
1"	BV2CV-100CC-A	BV-2C-VK100	105		
1 1/2"	BV2CV-150CC-A	BV-2C-VK150	238		
2"	BV2CV-200CC-A	BV-2C-VK200	256		
2 1/2"	BV2CV-250CC-A	BV-2C-VK250	900		
3"	BV2CV-300CC-A	BV-2C-VK300	1650		
4"	BV2CV-400CC-A	BV-2C-VK400	2027		
1/2"	BV2CG-050CC-A	BV-2C-GK050	34	G	15% glass reinforced RTFE
3/4"	BV2CG-075CC-A	BV-2C-GK075	51		
1"	BV2CG-100CC-A	BV-2C-GK100	116		
1 1/2"	BV2CG-150CC-A	BV-2C-GK150	261		
2"	BV2CG-200CC-A	BV-2C-GK200	281		
2 1/2"	BV2CG-250CC-A	BV-2C-GK250	990		
3"	BV2CG-300CC-A	BV-2C-GK300	1815		
4"	BV2CG-400CC-A	BV-2C-GK400	2229		
1/2"	BV2CC-050CC-A	BV-2C-CK050	37	C	25% carbon reinforced PTFE
3/4"	BV2CC-075CC-A	BV-2C-CK075	57		
1"	BV2CC-100CC-A	BV-2C-CK100	127		
1 1/2"	BV2CC-150CC-A	BV-2C-CK150	287		
2"	BV2CC-200CC-A	BV-2C-CK200	309		
2 1/2"	BV2CC-250CC-A	BV-2C-CK250	1089		
3"	BV2CC-300CC-A	BV-2C-CK300	1997		
4"	BV2CC-400CC-A	BV-2C-CK400	2452		
1/2"	BV2CS-050CC-A	BV-2C-SK050	41	S	50% stainless steel reinforced PTFE
3/4"	BV2CS-075CC-A	BV-2C-SK075	62		
1"	BV2CS-100CC-A	BV-2C-SK100	140		
1 1/2"	BV2CS-150CC-A	BV-2C-SK150	316		
2"	BV2CS-200CC-A	BV-2C-SK200	340		
2 1/2"	BV2CS-250CC-A	BV-2C-SK250	1198		
3"	BV2CS-300CC-A	BV-2C-SK300	2196		
4"	BV2CS-400CC-A	BV-2C-SK400	2698		
1/2"	BV2CU-050CC-A	BV-2C-UK050	31	U	UHMW
3/4"	BV2CU-075CC-A	BV-2C-UK075	47		
1"	BV2CU-100CC-A	BV-2C-UK100	105		
1 1/2"	BV2CU-150CC-A	BV-2C-UK150	238		
2"	BV2CU-200CC-A	BV-2C-UK200	256		
2 1/2"	BV2CU-250CC-A	BV-2C-UK250	900		
3"	BV2CU-300CC-A	BV-2C-UK300	1650		
4"	BV2CU-400CC-A	BV-2C-UK400	2027		