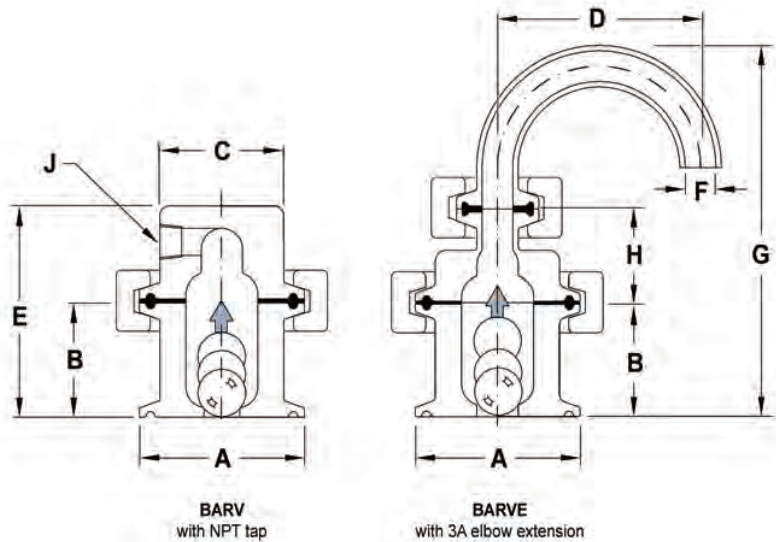




Air Relief Valves

Product Specific tions



Features:

- 3A Standards 58-00 with Elbow Extension, Check Valves and Vacuum Breakers
- no special tools required
- ball and gaskets are replaceable
- The valve seals for both pressure and vacuum.
- All product contact surfaces have a radius of 1/4" or better.
- The valve ball is constructed of FDA, 3A approved polypropylene.
- PTFE valve ball is available
- other gasket materials available
- maximum operating temperature: 212°F
- maximum PSI: 145

Description	A	B	C	D	E	F	G	H	J	304 Stainless Steel Part Number
1½" air relief valve with tapped blind end	1.98	1.40	1.50	---	2.40	---	---	---	1/8" NPT	BARV-G150
2" air relief valve with tapped blind end	2.51	1.40	1.50	---	2.40	---	---	---	1/8" NPT	BARV-G200
1½" air relief valve with 180° elbow	1.98	1.40	---	1.50	---	0.37	4.50	1.10	---	BARVE-G150 
2" air relief valve with 180° elbow	2.51	1.40	---	1.50	---	0.37	4.50	1.10	---	BARVE-G200 

All dimensions are in inches unless otherwise noted. Engineering dimensions are available upon request. Specifications are subject to change without notice.

Working Principle

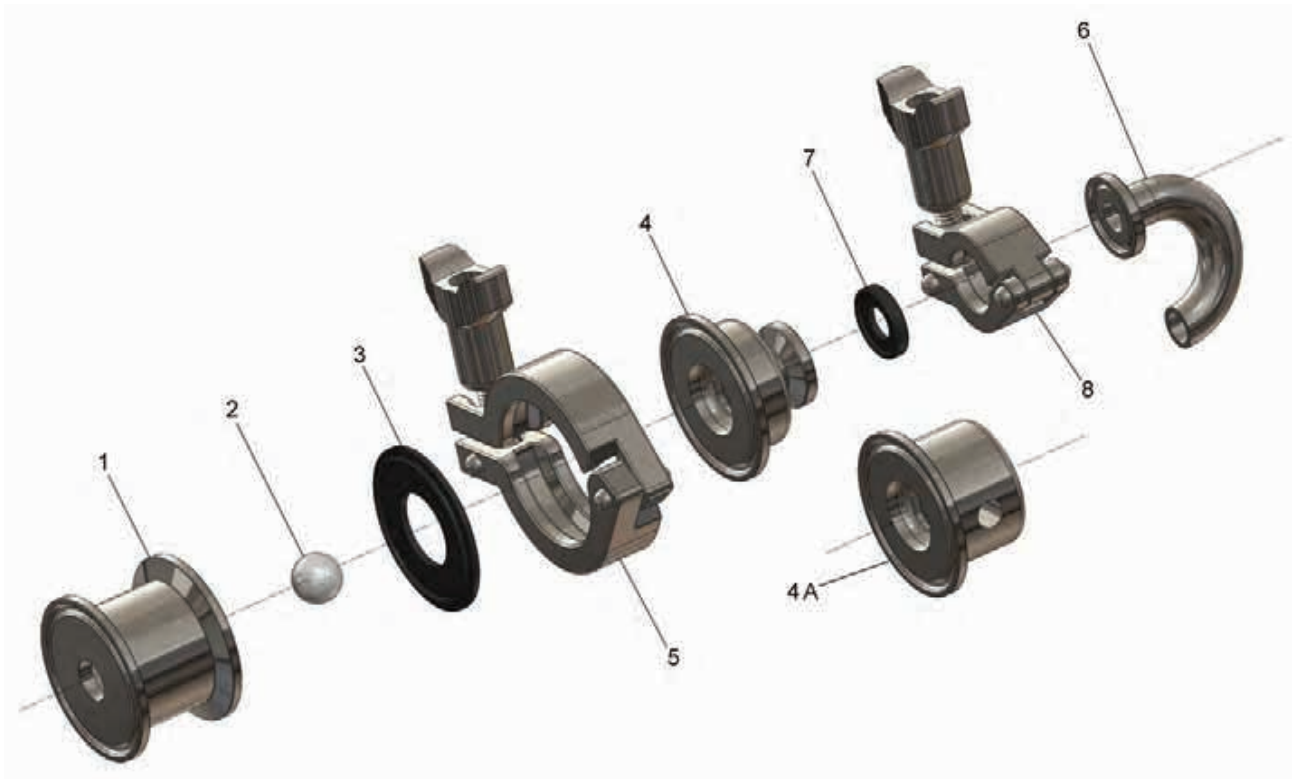
The Dixon Sanitary air relief valve allows air to be removed from a line or container without the liquid flowing out. Its design does not allow air to enter the line or container, even if subjected to a negative pressure. It is a double-seated valve with a freely moving polypropylene ball. The ball, which is lighter than water, closes against the upper or lower seat, depending on the pressure conditions.

Applications

1. Bleeding of a line where an air pocket has formed. This application calls for installation at the top of the line.
2. Bleeding of a tube on the suction side of a pump. The suction side is bled automatically, before the pump starts, establishing a vacuum. Binding of air to liquid will be prevented, and so will subsequent cavitation. In this application the valve is mounted in front of the pump, on the top of the inlet tube.

Air Relief Valves

Bill of Materials



Item #	Description	Material	Quantity Required	
			elbow 3A	tapped
1	body	304 stainless	1	1
2	ball	polypropylene	1	1
3	gasket	EPDM	1	1
4	3A cover	304 stainless	1	n/a
4A	tapped cover	304 stainless	n/a	1
5	1 1/2" clamp	CF8 stainless	1	1
6	180° tube ferrule	304 stainless	1	n/a
7	1/2" gasket	EPDM	1	n/a
8	1/2" clamp	CF8 stainless	1	n/a

Replacement Parts

Part Number	Description	Material	Quantity Required
BARVE3P-G150	ball	polypropylene	1
BARVE3T-G150	ball	PTFE	1

