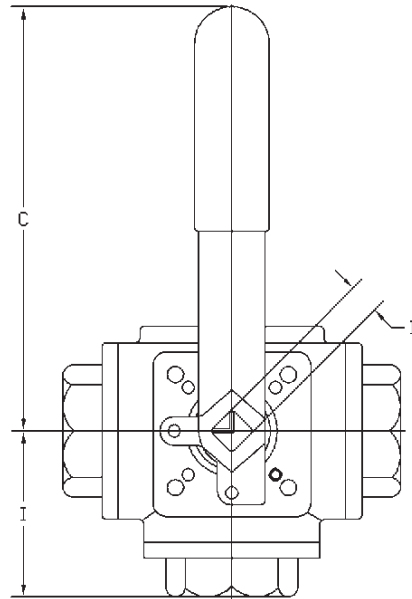
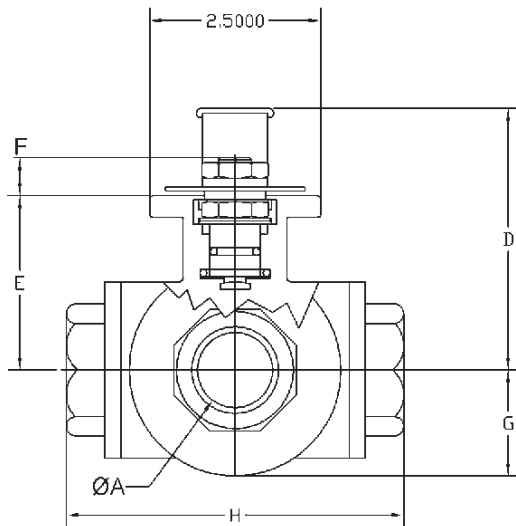


3-way Industrial Stainless Steel Ball Valves

Features:

- full port stainless steel ball valves with FNPT ends
- blow-out proof stem
- ISO 5211 mounting pad
- CF8M stainless steel body and ball
- RTFE seats and seals
- live-loaded stem packing
- for flow options see page 185
- private label handle covers available, page 218
- maximum pressure: ¼" - 1" **1,000 PSI WOG**
1¼" - 2" **800 PSI WOG**
- maximum temperature: **350°F**



Size	A	B (mm)	C	D	E	F	G	H	I	Break Torque (in-lbs.)	<i>Stainless Steel</i> 'L' port Part Number	<i>Stainless Steel</i> 'T' port Part Number
¼"	.43	9	5.12	2.44	1.45	.40	.78	2.83	1.41	157	<i>BV3IGLF-0251-A</i>	<i>BV3IGTF-0251-A</i>
⅜"	.47	9	5.12	2.44	1.45	.40	.78	2.83	1.41	157	<i>BV3IGLF-0381-A</i>	<i>BV3IGTF-0381-A</i>
½"	.59	9	5.12	2.51	1.65	.45	.91	3.26	1.63	207	<i>BV3IGLF-0501-A</i>	<i>BV3IGTF-0501-A</i>
¾"	.78	11	6.49	3.22	1.65	.59	1.10	3.89	1.94	276	<i>BV3IGLF-0751-A</i>	<i>BV3IGTF-0751-A</i>
1"	.98	11	6.49	3.50	2.18	.55	1.33	4.40	2.20	484	<i>BV3IGLF-1001-A</i>	<i>BV3IGTF-1001-A</i>
1¼"	1.25	14	8.07	3.85	2.48	.64	1.53	4.92	2.46	692	<i>BV3IGLF-1251-A</i>	<i>BV3IGTF-1251-A</i>
1½"	1.50	14	8.07	4.25	2.88	.62	1.88	5.86	2.93	950	<i>BV3IGLF-1501-A</i>	<i>BV3IGTF-1501-A</i>
2"	2.0	17	12.79	5.51	3.63	.88	2.36	6.85	3.42	1555	<i>BV3IGLF-2001-A</i>	<i>BV3IGTF-2001-A</i>

All dimensions are in inches unless otherwise noted. Engineering dimensions are available upon request. Specifications are subject to change without notice.

