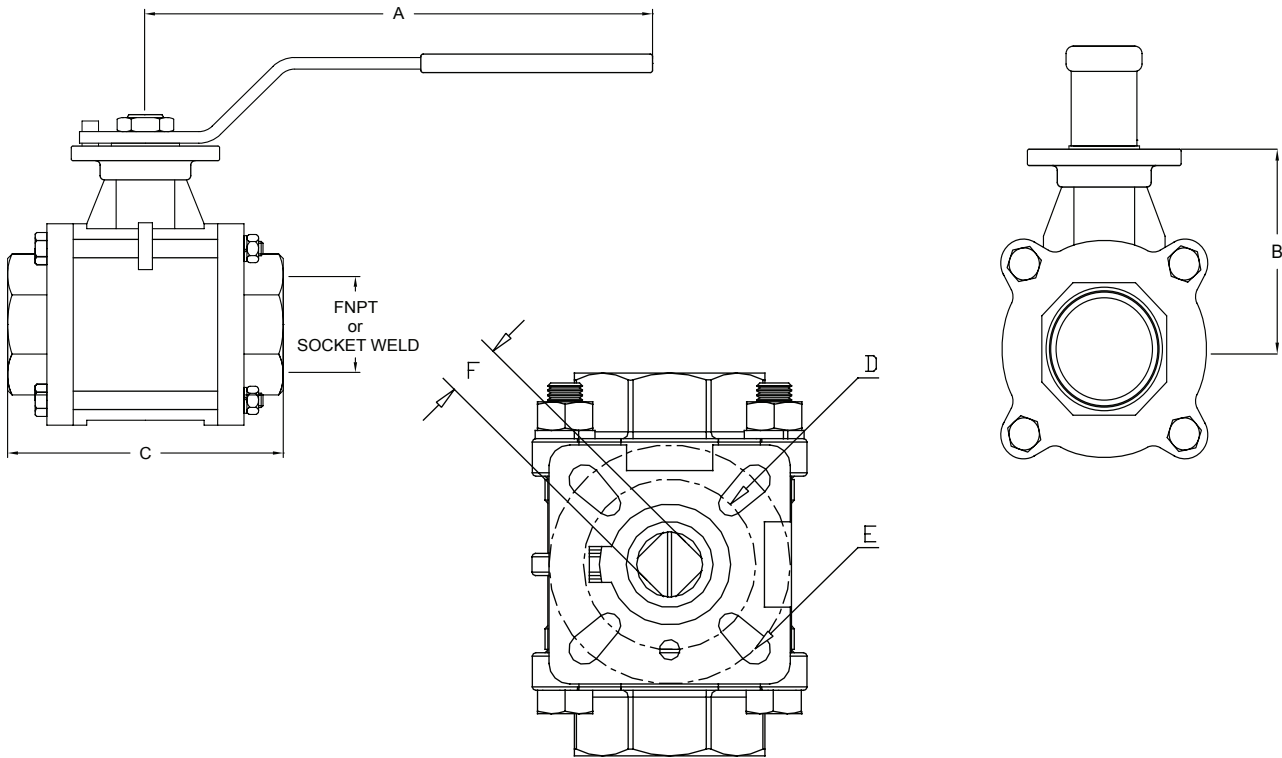


3 Piece Industrial Stainless Steel Ball Valves



Features:

- full port stainless steel ball valves with FNPT ends or socket weld
- blow out proof stem
- live-loaded stem packing
- 316 stainless steel stem
- swing out design for easy maintenance
- ISO 5211 mounting pad
- CF8M stainless steel body and ball
- private label handle covers available, page 218
- maximum pressure: 1/2" - 2" **1,000 PSI** WOG at 65°F
2 1/2" - 3" **800 PSI** WOG at 65°F
4" **600 PSI** WOG at 65°F
- maximum temperature: **400°F**



Size	A	B	C	D	E	F	FNPT	Socket Weld	FNPT Part Number	Socket Weld Part Number
1/4"	4.72	1.52	2.51	F03	F04	9	0.25	n/a	BV2I*-02511-A	BV2I*-02533-A
3/8"	4.72	1.52	2.51	F03	F04	9	0.38	0.71	BV2I*-03811-A	BV2I*-03833-A
1/2"	4.72	1.67	2.84	F03	F04	9	0.50	0.88	BV2I*-05011-A	BV2I*-05033-A
3/4"	4.72	1.91	3.11	F03	F04	9	0.75	1.09	BV2I*-07511-A	BV2I*-07533-A
1"	5.35	2.17	3.29	F04	F05	11	1.00	1.35	BV2I*-10011-A	BV2I*-10033-A
1 1/4"	5.35	2.35	4.14	F04	F05	11	1.25	1.70	BV2I*-12511-A	BV2I*-12533-A
1 1/2"	9.17	2.77	4.41	F05	F07	14	1.50	1.94	BV2I*-15011-A	BV2I*-15033-A
2"	9.17	3.38	5.13	F05	F07	14	2.00	2.44	BV2I*-20011-A	BV2I*-20033-A
2 1/2"	17.32	4.29	6.64	F07	F10	17	2.50	3.01	BV2I*-25011-A	BV2I*-25033-A
3"	17.32	4.67	7.34	F07	F10	17	3.00	3.52	BV2I*-30011-A	BV2I*-30033-A
4"	17.32	4.54	8.88	F07	F10	17	4.00	4.52	BV2I*-40011-A	BV2I*-40033-A

* Use G or C; G = RTFE, C = 25% Carbon PTFE

All dimensions are in inches unless otherwise noted. Engineering dimensions are available upon request. Specifications are subject to change without notice.

