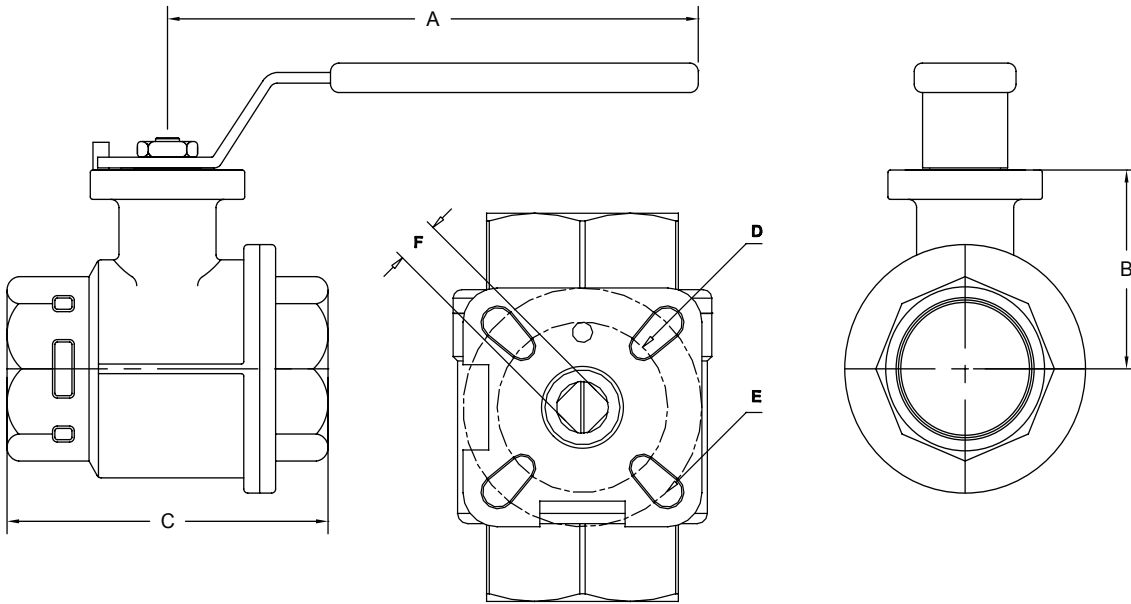


2 Piece Industrial Stainless Steel Ball Valves



Features:

- full port stainless steel ball valves with FNPT ends
- blow-out proof stem
- ISO 5211 mounting pad
- CF8M stainless body, ends and ball
- RTFE seats and PTFE seals
- private label handle covers available, see page 218
- maximum pressure: 1/2" - 2" **1,000 PSI WOG**
2 1/2" - 3" **800 PSI WOG**
- maximum temperature: **350°F**



Size	A	B	C	D	E	F	Break Torque (in-lbs.)	Weight (lbs.)	<i>Stainless Steel</i> Part Number
1/4"	n/a	1.06	2.17	F03	F04	9	65	0.53	BV2HG-02511-A
3/8"	n/a	1.06	2.17	F03	F04	9	86	0.53	BV2HG-03811-A
1/2"	n/a	1.18	2.41	F03	F04	9	86	0.66	BV2HG-05011-A
3/4"	n/a	1.29	2.99	F03	F04	9	97	1.12	BV2HG-07511-A
1"	n/a	1.72	3.43	F04	F05	9	160	1.87	BV2HG-10011-A
1 1/4"	5.35	1.86	3.93	F04	F05	9	239	2.76	BV2HG-12511-A
1 1/2"	9.17	2.34	4.48	F05	F07	11	398	4.45	BV2HG-15011-A
2"	9.17	2.74	5.21	F05	F07	11	600	6.3	BV2HG-20011-A
2 1/2"	17.32	3.29	6.33	F07	F10	14	980	11.62	BV2HG-25011-A
3"	17.32	4.67	7.34	F07	F10	17	1000	24.69	BV2HG-30011-A

All dimensions are in inches unless otherwise noted. Engineering dimensions are available upon request. Specifications are subject to change without notice.

