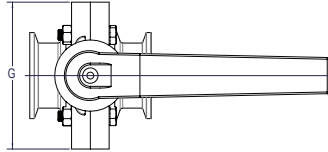
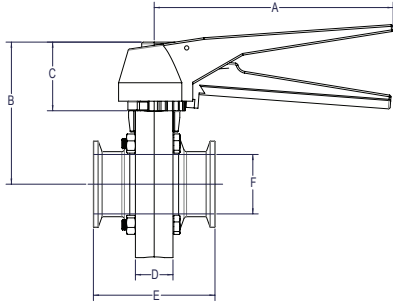


B5115 Series - 304 Stainless Steel Butterfly Valves Clamp End with Trigger Handle

Features:

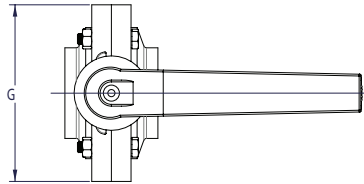
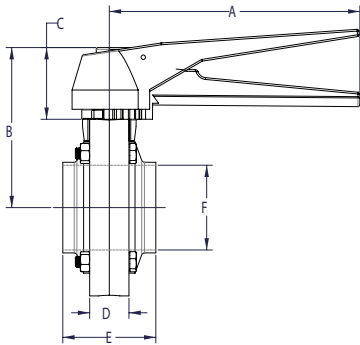
- 100% tested / 100% inspected
- all wetted surface are sanitary finish to <math><32R_a</math>
- field serviceable (no special tools required)
- silicone seats
- blue trigger handle
- operating temperature range: 15° - 200°F
- maximum operating pressure: 110 PSI

Clamp End



Size	Dimensions							304 Stainless Steel
	A	B	C	D	E	F	G	Part #
1½"	5.70	3.40	1.60	0.87	2.80	1.40	3.40	B5115S150CC-C
2"	5.70	3.60	1.60	0.87	3.00	1.90	3.90	B5115S200CC-C
3"	5.70	4.20	1.60	0.87	3.30	2.90	5.00	B5115S300CC-C
4"	6.89	5.51	1.60	0.87	3.62	3.83	6.89	B5115S400CC-C

Weld End



Size	Dimensions							304 Stainless Steel
	A	B	C	D	E	F	G	Part #
1½"	5.70	3.40	1.60	0.87	1.97	1.40	3.40	B5115S150BB-C
2"	5.70	3.60	1.60	0.87	2.05	1.90	3.90	B5115S200BB-C
3"	5.70	4.20	1.60	0.87	2.12	2.90	5.00	B5115S300BB-C
4"	6.89	5.51	1.60	0.87	2.52	3.83	6.89	B5115S400BB-C

Replacement Seats

Size	Part #
1½"	B5115-RKS150
2"	B5115-RKS200
3"	B5115-RKS300
4"	B5115-RKS400



B5115 Series Butterfly alves**Bill of Materials**

Item #	Description	Material	Quantity
1	body half	304	2
2	seat	silicone	1
3	nut	304	4
4	bolt	304	4
5	plug, body	plastic	1
6	disc	304	1
7	sprocket	304	1
8	handle assembly	304/plastic	1
9	screw, handle	304	1
10	plug, handle	plastic	1

W