

B5104 Series Butterfly alves

Butterfly alve Selection



Product Specific tions

Features:

- 100% tested / 100% inspected
- all wetted surfaces are sanitary finished to $< 32R_a$
- field serviceable (no special tools required)
- seat materials available include: silicone, EPDM, FKM
- PTFE bushings reduce friction and increase cycle life
- private label handle covers available, see page 218
- minimal line pressure: 0.4 inches Hg vacuum @ 68°F
- operating temperature range: **15°F to 200°F**

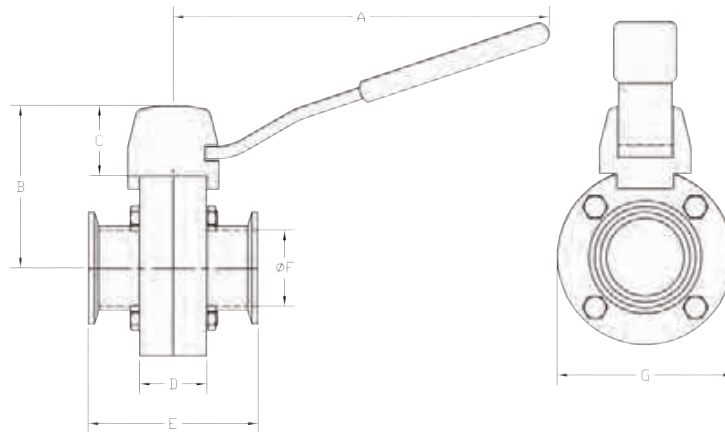
Information supplied based on water media @ 68°F

Size	Break Torque (in-lbs.) Silicone	Break Torque (in-lbs.) EPDM	Break Torque (in-lbs.) FKM	Pressure Rating (PSI)	Flow Coefficient (C_v)	Weight with standard handle (lbs.)
1"	50	105	45	140	23	1.8
1½"	60	135	55	140	80	1.2
2"	175	180	125	140	230	1.6
2½"	250	260	200	110	264	2.0
3"	300	305	250	110	372	2.4
4"	350	360	300	85	800	4.8

B5104 Series Butterfly alves

Clamp End

Size	CF8M stainless steel with Silicone seats	CF8M stainless steel with EPDM seats	CF8M stainless steel with FKM seats
1"	B5104S100CC-D	B5104E100CC-D	B5104V100CC-D
1½"	B5104S150CC-D	B5104E150CC-D	B5104V150CC-D
2"	B5104S200CC-D	B5104E200CC-D	B5104V200CC-D
2½"	B5104S250CC-D	B5104E250CC-D	B5104V250CC-D
3"	B5104S300CC-D	B5104E300CC-D	B5104V300CC-D
4"	B5104S400CC-D	B5104E400CC-D	B5104V400CC-D



Dimensions

Size	A	B	C	D	E	F	G
1"	6.6	2.9	1.2	1.2	3.0	0.9	3.1
1½"	6.6	2.9	1.2	1.2	3.0	1.4	3.1
2"	6.6	3.2	1.2	1.2	3.0	1.9	3.7
2½"	6.6	3.4	1.2	1.2	3.0	2.4	4.2
3"	6.6	3.7	1.2	1.2	3.0	2.9	4.8
4"	6.6	4.7	1.7	1.5	3.5	3.8	5.9

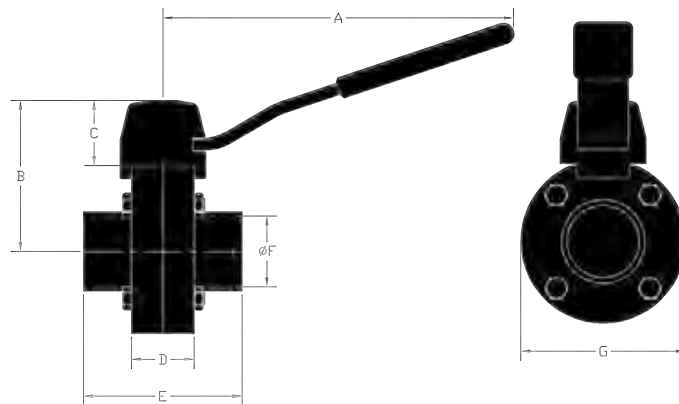
All dimensions are in inches unless otherwise noted. Engineering dimensions are available upon request.
Specifications are subject to change without notice.

B5104 Series Butterfly alves

Weld End



Size	CF8M stainless steel with Silicone seats	CF8M stainless steel with EPDM seats	CF8M stainless steel with FKM seats
1"	B5104S100BB-D	B5104E100BB-D	B5104V100BB-D
1½"	B5104S150BB-D	B5104E150BB-D	B5104V150BB-D
2"	B5104S200BB-D	B5104E200BB-D	B5104V200BB-D
2½"	B5104S250BB-D	B5104E250BB-D	B5104V250BB-D
3"	B5104S300BB-D	B5104E300BB-D	B5104V300BB-D
4"	B5104S400BB-D	B5104E400BB-D	B5104V400BB-D



Dimensions

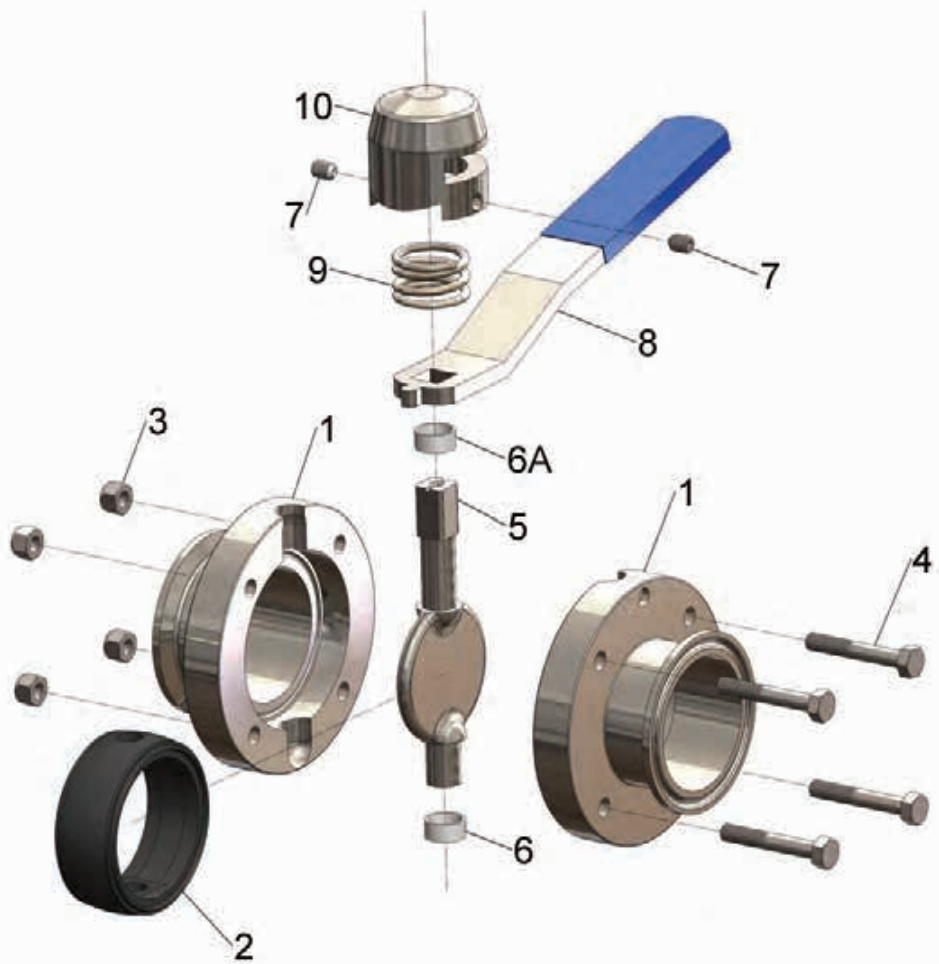
Size	A	B	C	D	E	F	G
1"	6.6	2.9	1.2	1.2	3.0	0.9	3.1
1½"	6.6	2.9	1.2	1.2	3.0	1.4	3.1
2"	6.6	3.2	1.2	1.2	3.0	1.9	3.7
2½"	6.6	3.4	1.2	1.2	3.0	2.4	4.2
3"	6.6	3.7	1.2	1.2	3.0	2.9	4.8
4"	6.6	4.7	1.7	1.5	3.5	3.8	5.9

W

All dimensions are in inches unless otherwise noted. Engineering dimensions are available upon request.
Specifications are subject to change without notice.

B5104 Series Butterfly alves

Bill of Materials



Item #	Description	Material	Quantity
1	body half	CF8M	2
2	seat	silicone, EPDM, FKM	1
3	hex nut	304 stainless	4 ¹
4	bolt	304 stainless	4 ¹
5	disc	CF-3M stainless	1
6	bushing	PTFE	1
6a	split bushing	PTFE	1
7	hex socket screw	304 stainless	2
8	handle	CF8 stainless	1
9	spring	304 stainless	1
10	hub	CF8 stainless	1

¹ 4" valve quantity (6)

Repair Kits

Size	Red Silicone	Black EPDM	Black FKM
1"	B5104-RKS100	B5104-RKE100	B5104-RKV100
1½"	B5104-RKS150	B5104-RKE150	B5104-RKV150
2"	B5104-RKS200	B5104-RKE200	B5104-RKV200
2½"	B5104-RKS250	B5104-RKE250	B5104-RKV250
3"	B5104-RKS300	B5104-RKE300	B5104-RKV300
4"	B5104-RKS400	B5104-RKE400	B5104-RKV400

Repair Kit contains:
 (1) seat
 (1) bushing
 (1) split bushing

