

## B5102 Series Butterfly alves

### Product Specific tions

Information supplied based on water media @ 68°F

Size	Break Torque (in-lbs.)	Assembly Torque (in-lbs.)	Pressure Rating (PSI)	Flow Coefficient (C <sub>v</sub> )	Weight w/ standard handle (lbs.)
1"	125	36	140	23	1.5
1½"	185	36	140	80	2
2"	200	21.6	120	230	2.5
2½"	260	21.6	120	264	3
3"	350	28.8	100	372	4
4"	495	43.2	70	800	6

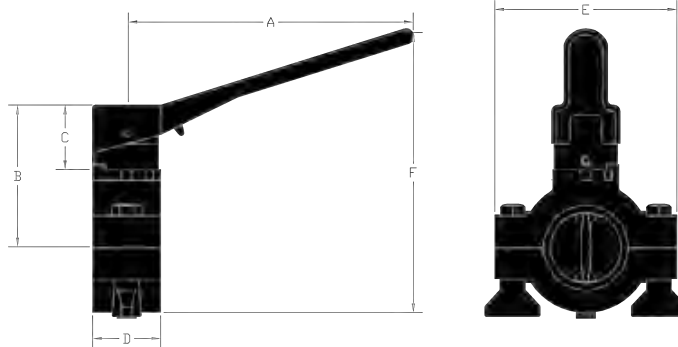
#### Features:

- all wetted surfaces are sanitary finish 316L stainless steel
- all sizes use only ¾" of line space
- the grooved clamp housing connects directly to the corresponding sanitary clamp size
- PTFE valve disc bushings reduce friction and increase cycle life
- 3-position reversible handle
- 100% tested / 100% inspected
- field serviceable (no special tools required)
- seat materials available include: silicone, EPDM, FKM
- can be modified for lockout / tagout
- various automatic operations available
- vacuum rating: 0.4 inches Hg @ 68°F
- operating temperature range: **15°F to 200°F**



#### Part Numbers

Size	316L stainless steel with Silicone seats	316L stainless steel with EPDM seats	316L stainless steel with FKM seats
1"	<b>B5102S100-A</b>	<b>B5102E100-A</b>	<b>B5102V100-A</b>
1½"	<b>B5102S150-A</b>	<b>B5102E150-A</b>	<b>B5102V150-A</b>
2"	<b>B5102S200-A</b>	<b>B5102E200-A</b>	<b>B5102V200-A</b>
2½"	<b>B5102S250-A</b>	<b>B5102E250-A</b>	<b>B5102V250-A</b>
3"	<b>B5102S300-A</b>	<b>B5102E300-A</b>	<b>B5102V300-A</b>
4"	<b>B5102S400-A</b>	<b>B5102E400-A</b>	<b>B5102V400-A</b>



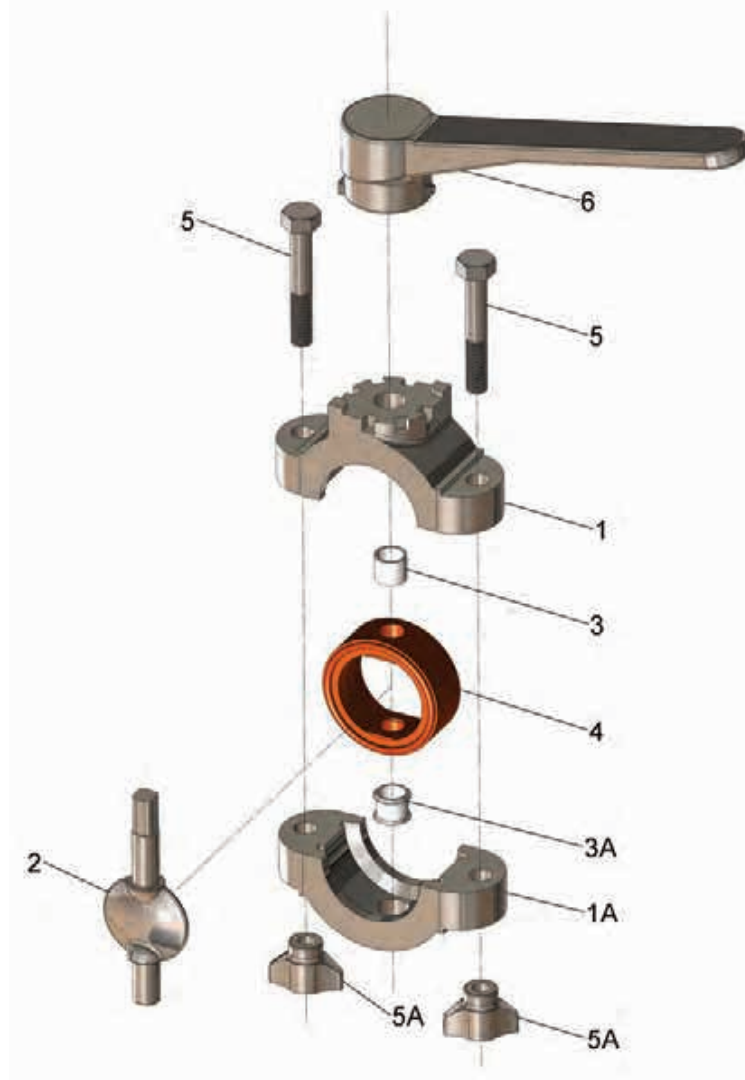
#### Dimensions

Size	A	B	C	D	E	F
1"	5.6	2.8	1.3	1.3	3.6	5.6
1½"	5.6	2.8	1.3	1.3	3.6	5.6
2"	5.6	3.0	1.3	1.3	4.1	6.1
2½"	5.6	3.3	1.3	1.3	4.6	6.6
3"	5.6	3.6	1.3	1.3	5.3	7.1
4"	5.6	4.1	1.3	1.3	6.4	8.2

All dimensions are in inches unless otherwise noted. Engineering dimensions are available upon request. Specifications are subject to change without notice.

## B5102 Series Butterfly alves

### Bill of Materials



Item #	Description	Material	Quantity
1	upper body half	CF8, stainless	1
1A	lower body half	CF8, stainless	1
2	disc	316L stainless	1
3	upper bushing	PTFE	1
3A	lower bushing	PTFE	1
4	seat	silicone, EPDM, FKM	1
5	bolts	304 stainless	2
5A	wing nuts	304 stainless	2
6	handle	CF8, Stainless	1

### Repair Kits

Size	Red Silicone	Black EPDM	Brown FKM
1"	<b>B5102-RKS100</b>	<b>B5102-RKE100</b>	<b>B5102-RKV100</b>
1½"	<b>B5102-RKS150</b>	<b>B5102-RKE150</b>	<b>B5102-RKV150</b>
2"	<b>B5102-RKS200</b>	<b>B5102-RKE200</b>	<b>B5102-RKV200</b>
2½"	<b>B5102-RKS250</b>	<b>B5102-RKE250</b>	<b>B5102-RKV250</b>
3"	<b>B5102-RKS300</b>	<b>B5102-RKE300</b>	<b>B5102-RKV300</b>
4"	<b>B5102-RKS400</b>	<b>B5102-RKE400</b>	<b>B5102-RKV400</b>

Repair Kit contains:  
 (1) seat  
 (2) bushings

