

B5101 Series Butterfly alves

Product Specific tions

Features:

- 100% hydraulic tested / 100% inspected
- all wetted surfaces are sanitary finished to $< 32R_a$
- field serviceable (no special tools required)
- seat materials available include: silicone, EPDM, FKM, (6" EPDM and silicone, 8" EPDM only)
- vacuum rating: 0.4 inches Hg at 68°F
- operating temperature range: **15°F to 200°F**



Information supplied based on water media @ 68°F

Size	Break Torque (in. lbs.) silicone	Break Torque (in. lbs.) EPDM	Break Torque (in. lbs.) FKM	Pressure Rating (PSI)	Flow Coefficient (CV)	Weight w/standard handle (lbs.)
1/2"	20	75	70	140	7	2.2
3/4"	20	75	70	140	11	2.2
1"	20	75	70	140	23	2.2
1 1/2"	40	130	125	140	80	2.9
2"	55	165	175	140	230	3.5
2 1/2"	70	210	220	110	264	3.7
3"	165	350	310	110	372	4.4
4"	350	540	450	85	800	9.0
6"	700	1550	n/a	60	1200	18.5
8"	n/a	1650	n/a	60	2800	13.6

B5101 Series Butterfly valve with Pull Handle**Clamp End**

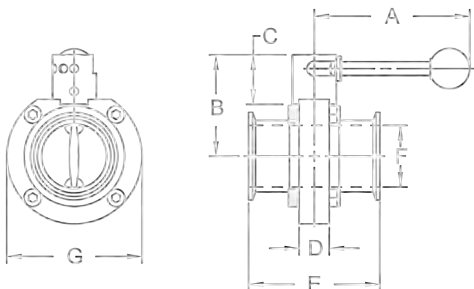
Part Numbers

Size	316 stainless steel with Silicone seats	316 stainless steel with EPDM seats	316 stainless steel with FKM seats
1/2"	B5101S050CC-A	B5101E050CC-A	B5101V050CC-A
3/4"	B5101S075CC-A	B5101E075CC-A	B5101V075CC-A
1"	B5101S100CC-A	B5101E100CC-A	B5101V100CC-A
1 1/2"	B5101S150CC-A	B5101E150CC-A	B5101V150CC-A
2"	B5101S200CC-A	B5101E200CC-A	B5101V200CC-A
2 1/2"	B5101S250CC-A	B5101E250CC-A	B5101V250CC-A
3"	B5101S300CC-A	B5101E300CC-A	B5101V300CC-A
4" ¹	B5101S400CC-A	B5101E400CC-A	B5101V400CC-A
6"	B5101S600CC-A	B5101E600CC-A	---
8"	---	B5101E800CC-A	---

¹ high pressure 4" butterfly is available, call Dixon Sanitary for more information

Dimensions

Size	A	B	C	D	E	F	G
1/2"	4.4	2.8	1.4	0.9	3.5	.37	3.1
3/4"	4.4	2.8	1.4	0.9	3.5	.62	3.1
1"	4.4	2.8	1.4	0.9	3.5	0.9	3.1
1 1/2"	4.4	2.8	1.4	0.9	3.5	1.4	3.1
2"	4.4	3.1	1.4	0.9	3.8	1.9	3.9
2 1/2"	4.4	3.5	1.4	0.9	3.8	2.4	4.6
3"	6.2	3.8	1.3	1.2	4.1	2.9	5.2
4"	6.2	4.5	1.3	1.2	4.8	3.8	6.7
6"	11.5	5.5	1.3	1.2	5.5	5.8	8.5
8"	18.0	6.9	1.6	1.2	4.9	7.8	11.2

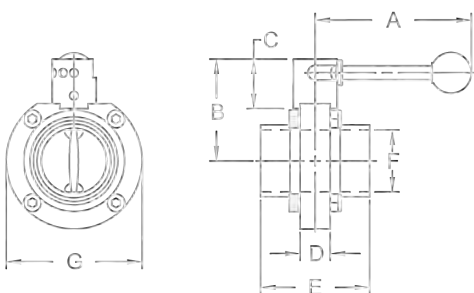
**B5101 Series Butterfly valve with Pull Handle****Weld End**

Part Numbers

Size	316 stainless steel with Silicone seats	316 stainless steel with EPDM seats	316 stainless steel with FKM seats
1/2"	B5101S050BB-A	B5101E050BB-A	B5101V050BB-A
3/4"	B5101S075BB-A	B5101E075BB-A	B5101V075BB-A
1"	B5101S100BB-A	B5101E100BB-A	B5101V100BB-A
1 1/2"	B5101S150BB-A	B5101E150BB-A	B5101V150BB-A
2"	B5101S200BB-A	B5101E200BB-A	B5101V200BB-A
2 1/2"	B5101S250BB-A	B5101E250BB-A	B5101V250BB-A
3"	B5101S300BB-A	B5101E300BB-A	B5101V300BB-A
4"	B5101S400BB-A	B5101E400BB-A	B5101V400BB-A
6"	B5101S600BB-A	B5101E600BB-A	---
8"	---	B5101E800BB-A	---

Dimensions

Size	A	B	C	D	E	F	G
1/2"	4.3	2.6	1.3	0.9	1.9	.37	3.1
3/4"	4.3	2.6	1.3	0.9	1.9	.62	3.1
1"	4.4	2.8	1.4	0.9	1.9	0.9	3.1
1 1/2"	4.4	2.8	1.4	0.9	1.9	1.4	3.1
2"	4.4	3.1	1.4	0.9	2.0	1.9	3.9
2 1/2"	4.4	3.5	1.4	0.9	2.1	2.4	4.6
3"	6.2	3.8	1.3	1.2	2.5	2.9	5.2
4"	6.2	4.5	1.3	1.2	3.1	3.8	6.7
6"	11.5	5.5	1.3	1.2	5.5	5.8	8.5
8"	18.0	6.9	1.6	1.2	4.9	7.8	11.2

**W**

All dimensions are in inches unless otherwise noted. Engineering dimensions are available upon request. Specifications are subject to change without notice.

B5101 Series Butterfly valve with Infinite Handl Clamp End

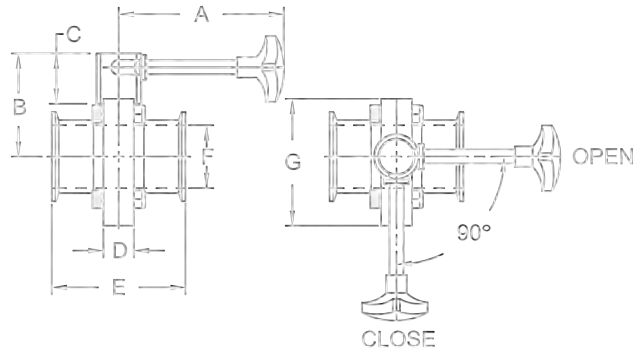
Part Numbers

Size	316 stainless steel with Silicone seats	316 stainless steel with EPDM seats	316 stainless steel with FKM seats
½"	B5101S050CC-B	B5101E050CC-B	B5101V050CC-B
¾"	B5101S075CC-B	B5101E075CC-B	B5101V075CC-B
1"	B5101S100CC-B	B5101E100CC-B	B5101V100CC-B
1½"	B5101S150CC-B	B5101E150CC-B	B5101V150CC-B
2"	B5101S200CC-B	B5101E200CC-B	B5101V200CC-B
2½"	B5101S250CC-B	B5101E250CC-B	B5101V250CC-B
3"	B5101S300CC-B	B5101E300CC-B	B5101V300CC-B
4"	B5101S400CC-B	B5101E400CC-B	B5101V400CC-B



Dimensions

Size	A	B	C	D	E	F	G
½"	4.3	2.6	1.3	0.9	3.5	0.37	3.1
¾"	4.3	2.6	1.3	0.9	3.5	0.62	3.1
1"	4.3	2.6	1.3	0.9	3.5	0.9	3.1
1½"	4.3	2.6	1.3	0.9	3.5	1.4	3.1
2"	4.3	2.9	1.3	0.9	3.8	1.9	3.1
2½"	4.3	3.3	1.3	0.9	3.8	2.4	4.6
3"	6.4	3.6	1.3	1.2	4.1	2.9	5.2
4"	6.4	4.4	1.3	1.2	4.8	3.8	6.7



B5101 Series Butterfly valve with Infinite Handl Weld End

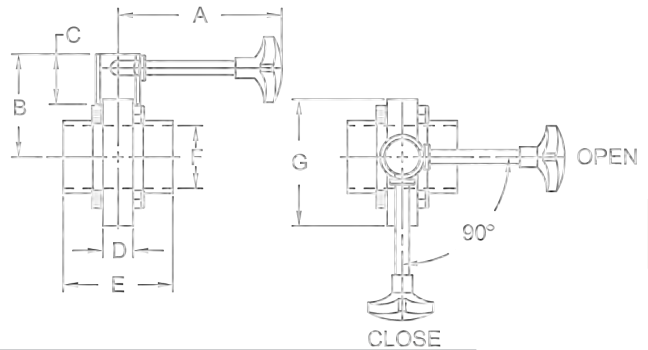
Part Numbers

Size	316 stainless steel with Silicone seats	316 stainless steel with EPDM seats	316 stainless steel with FKM seats
½"	B5101S050BB-B	B5101E050BB-B	B5101V050BB-B
¾"	B5101S075BB-B	B5101E075BB-B	B5101V075BB-B
1"	B5101S100BB-B	B5101E100BB-B	B5101V100BB-B
1½"	B5101S150BB-B	B5101E150BB-B	B5101V150BB-B
2"	B5101S200BB-B	B5101E200BB-B	B5101V200BB-B
2½"	B5101S250BB-B	B5101E250BB-B	B5101V250BB-B
3"	B5101S300BB-B	B5101E300BB-B	B5101V300BB-B
4"	B5101S400BB-B	B5101E400BB-B	B5101V400BB-B



Dimensions

Size	A	B	C	D	E	F	G
½"	4.3	2.6	1.3	0.9	1.9	0.37	3.1
¾"	4.3	2.6	1.3	0.9	1.9	0.62	3.1
1"	4.3	2.6	1.3	0.9	1.9	0.9	3.1
1½"	4.3	2.6	1.3	0.9	1.9	1.4	3.1
2"	4.3	2.9	1.3	0.9	2.0	1.9	3.1
2½"	4.3	3.3	1.3	0.9	2.1	2.4	4.6
3"	6.4	3.6	1.3	1.2	2.5	2.9	5.2
4"	6.4	4.4	1.3	1.2	3.1	3.8	6.7



All dimensions are in inches unless otherwise noted. Engineering dimensions are available upon request.
Specifications are subject to change without notice.

B5101 Series Butterfly Valve with Trigger Handle

Clamp End

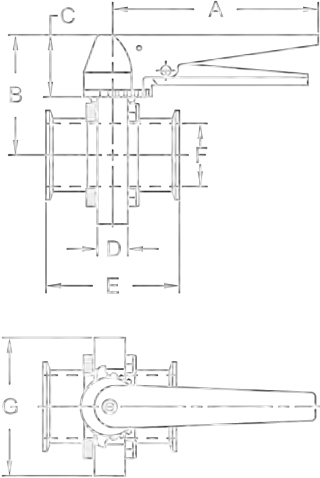


Feature:

- lockout / tagout handle

Part Numbers

Size	316 stainless steel with Silicone seats	316 stainless steel with EPDM seats	316 stainless steel with FKM seats
1/2"	B5101S050CC-C	B5101E050CC-C	B5101V050CC-C
3/4"	B5101S075CC-C	B5101E075CC-C	B5101V075CC-C
1"	B5101S100CC-C	B5101E100CC-C	B5101V100CC-C
1 1/2"	B5101S150CC-C	B5101E150CC-C	B5101V150CC-C
2"	B5101S200CC-C	B5101E200CC-C	B5101V200CC-C
2 1/2"	B5101S250CC-C	B5101E250CC-C	B5101V250CC-C
3"	B5101S300CC-C	B5101E300CC-C	B5101V300CC-C
4"	B5101S400CC-C	B5101E400CC-C	B5101V400CC-C



Dimensions

Size	A	B	C	D	E	F	G
1/2"	6.6	3.0	1.7	0.9	3.5	0.37	3.1
3/4"	6.6	3.0	1.7	0.9	3.5	0.62	3.1
1"	6.6	3.0	1.7	0.9	3.5	0.9	3.1
1 1/2"	6.6	3.0	1.7	0.9	3.5	1.4	3.1
2"	6.6	3.5	1.7	0.9	3.8	1.9	3.1
2 1/2"	6.6	3.7	1.7	0.9	3.8	2.4	4.6
3"	6.6	3.9	1.7	1.2	4.1	2.9	5.2
4"	6.6	4.8	1.7	1.2	4.8	3.8	6.7

B5101 Series Butterfly Valve with Trigger Handle

Weld End

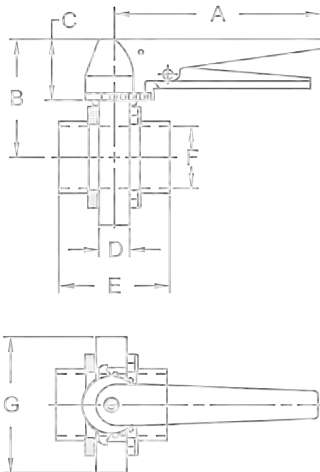


Feature:

- lockout / tagout handle

Part Numbers

Size	316 stainless steel with Silicone seats	316 stainless steel with EPDM seats	316 stainless steel with FKM seats
1/2"	B5101S050BB-C	B5101E050BB-C	B5101V050BB-C
3/4"	B5101S075BB-C	B5101E075BB-C	B5101V075BB-C
1"	B5101S100BB-C	B5101E100BB-C	B5101V100BB-C
1 1/2"	B5101S150BB-C	B5101E150BB-C	B5101V150BB-C
2"	B5101S200BB-C	B5101E200BB-C	B5101V200BB-C
2 1/2"	B5101S250BB-C	B5101E250BB-C	B5101V250BB-C
3"	B5101S300BB-C	B5101E300BB-C	B5101V300BB-C
4"	B5101S400BB-C	B5101E400BB-C	B5101V400BB-C



Dimensions

Size	A	B	C	D	E	F	G
1/2"	6.6	3.0	1.7	0.9	1.9	0.37	3.1
3/4"	6.6	3.0	1.7	0.9	1.9	0.62	3.1
1"	6.6	3.0	1.7	0.9	1.9	0.9	3.1
1 1/2"	6.6	3.0	1.7	0.9	1.9	1.4	3.1
2"	6.6	3.5	1.7	0.9	2.0	1.9	3.9
2 1/2"	6.6	3.7	1.7	0.9	2.1	2.4	4.6
3"	6.6	3.9	1.7	1.2	2.5	2.9	5.2
4"	6.6	4.8	1.7	1.2	3.1	2.9	6.7

All dimensions are in inches unless otherwise noted. Engineering dimensions are available upon request. Specifications are subject to change without notice.

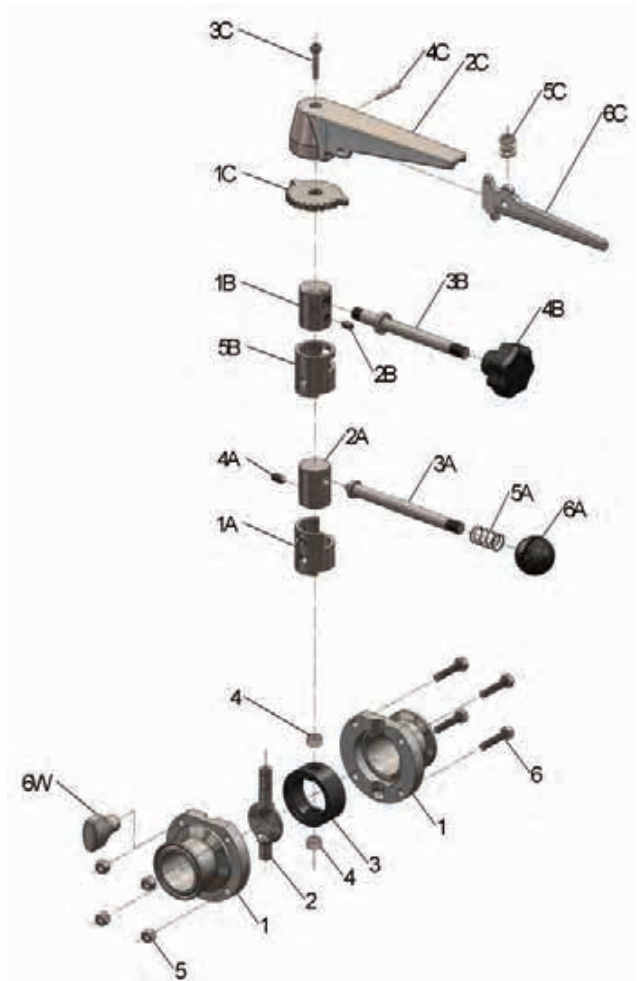
B5101 Series Butterfly alves

Bill of Materials

Item	Description	Material	Quantity
Trigger Handle			
1C	sprocket	CF8	1
2C	handle	CF8	1
3C	hex socket bolt	304	1
4C	pin	304	1
5C	spring	304	1
6C	trigger	CF8	1
Infinite Handle			
1B	hub	CF8	1
2B	hex socket screw	304	1
3B	handle shaft	304	1
4B	knob	polymer	1
5B	hub housing	CF8	1
Pull Handle			
1A	hub housing	CF8	1
2A	hub	CF8	1
3A	handle shaft	304	1
4A	hex socket screw	304	1
5A	spring	304	1
6A	knob	polymer	1
Valve			
1	body half	316	2
2	disc	316	1
3	seat	silicone EPDM FKM	1
4	bushing	polyacetal	2
5	hex nut	304	4 *
6	bolt	304	4 *
6W	optional wing nut	304	4 *

* 4" and 8" valves have 6 bolts and nuts

* 6" valve has 8 bolts and nuts



Repair Kits

Size	Red Silicone	Black EPDM	Brown FKM
½"-1"	B5101-RKS100	B5101-RKE100	B5101-RKV100
1½"	B5101-RKS150	B5101-RKE150	B5101-RKV150
2"	B5101-RKS200	B5101-RKE200	B5101-RKV200
2½"	B5101-RKS250	B5101-RKE250	B5101-RKV250
3"	B5101-RKS300	B5101-RKE300	B5101-RKV300
4"	B5101-RKS400	B5101-RKE400	B5101-RKV400
6"	B5101-RKS600	B5101-RKE600	---
8"	---	B5101-RKE800	---

Repair Kit contains:
 (1) seat
 (2) bushings

