

B51 Series Industrial Butterfly Valves

Product Specific tions

Features:

- wafer and lug type body
- cast iron body with extended neck
- nickel plated ductile iron disc
- seat backing ring ensures blowout proof service
- installs between Standard ANSI Class 150# flanges
- conforms to MSS SP-67 MSS SP-25, API-609
- no taper pins
- field repairable (seat kits available)
- undercut available
- EPDM seat
- maximum pressure 200 PSI (bi-directional)
- temperature range: **-20°F to 250°F** (depending upon seat material)
- wide variety of seat, disc and body materials available
- additional sizes available
- various manual or automatic operators available



Lug Butterfly Valve



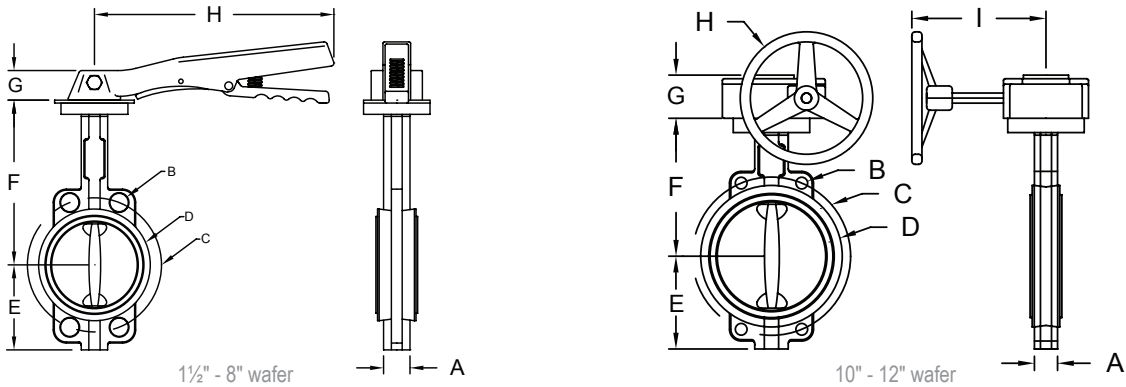
Wafer Butterfly Valve

Valve Seating Torque (in. lbs.)

| Size | Standard Disc at Pressure Differential (ΔP) | | | |
|------|---|----------------|----------------|----------------|
| | 50 ΔP | 100 ΔP | 150 ΔP | 200 ΔP |
| 1½" | 80 | 95 | 100 | 105 |
| 2" | 99 | 105 | 110 | 116 |
| 2½" | 146 | 160 | 172 | 186 |
| 3" | 198 | 206 | 230 | 240 |
| 4" | 250 | 300 | 340 | 380 |
| 5" | 420 | 470 | 520 | 580 |
| 6" | 600 | 690 | 782 | 873 |
| 8" | 960 | 1100 | 1280 | 1410 |
| 10" | 1590 | 1790 | 2000 | 2180 |
| 12" | 2390 | 2600 | 3011 | 2313 |

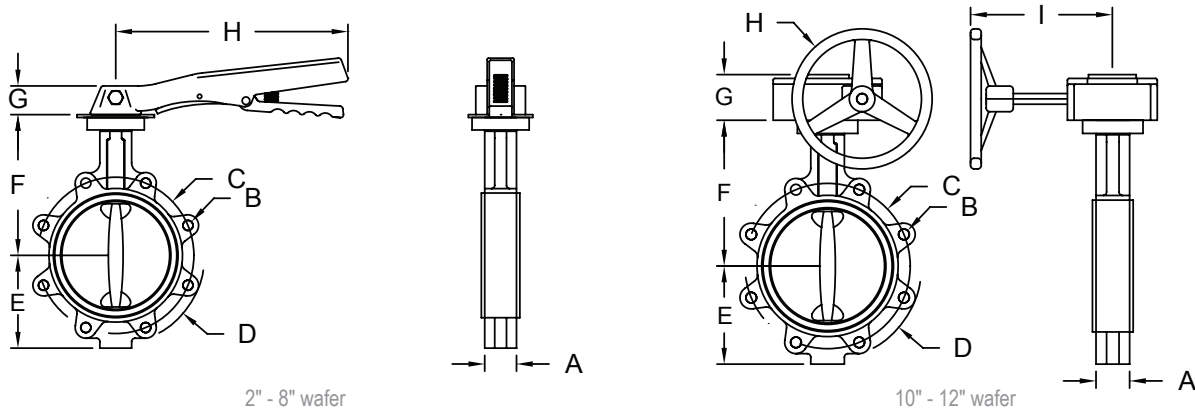
B51 Series Industrial Butterfly valves

Dimensions (wafer)



| Part Number | Size | A | B | C | D | E | F | G | H | I |
|-----------------------|------|------|------|-------|-------|------|-------|------|-------|------|
| B5121E150WW-C | 1½" | 1.30 | 4-18 | 3.88 | 3.74 | 2.56 | 5.75 | 0.88 | 8.00 | n/a |
| B5121E200WW-C | 2" | 1.69 | 4-18 | 4.75 | 3.82 | 3.15 | 5.94 | 0.88 | 8.00 | n/a |
| B5121E250WW-C | 2½" | 1.81 | 4-18 | 5.50 | 4.45 | 3.62 | 6.89 | 0.88 | 8.00 | n/a |
| B5121E300WW-C | 3" | 1.81 | 4-18 | 6.00 | 4.92 | 3.74 | 7.13 | 0.88 | 8.00 | n/a |
| B5121E400WW-C | 4" | 2.50 | 4-22 | 7.50 | 6.14 | 4.49 | 7.87 | 1.00 | 10.60 | n/a |
| B5121E500WW-C | 5" | 2.20 | 4-22 | 8.50 | 7.36 | 5.00 | 8.39 | 1.00 | 10.60 | n/a |
| B5121E600WW-C | 6" | 2.20 | 4-22 | 9.50 | 8.46 | 5.47 | 8.90 | 1.00 | 10.60 | n/a |
| B5121E800WW-C | 8" | 2.36 | 4-22 | 11.75 | 10.51 | 6.59 | 10.24 | 1.25 | 12.60 | n/a |
| B5121E1000WW-G | 10" | 2.68 | 4-26 | 14.25 | 13.00 | 8.00 | 11.50 | 3.21 | 9.84 | 8.86 |
| B5121E1200WW-G | 12" | 3.07 | 4-26 | 17.00 | 14.96 | 9.53 | 13.27 | 3.21 | 11.80 | 8.86 |

Dimensions (lug)



| Part Number | Size | A | B | C | D | E | F | G | H | I |
|-----------------------|------|------|---------------|-------|-------|------|-------|------|-------|------|
| B5121E200LL-C | 2" | 1.69 | 4-5/18-11 UNC | 4.75 | 5.95 | 3.15 | 5.94 | 0.88 | 8.00 | n/a |
| B5121E250LL-C | 2½" | 1.81 | 4-5/18-11 UNC | 5.50 | 6.97 | 3.62 | 6.89 | 0.88 | 8.00 | n/a |
| B5121E300LL-C | 3" | 1.81 | 4-5/18-11 UNC | 6.00 | 7.56 | 3.74 | 7.13 | 0.88 | 8.00 | n/a |
| B5121E400LL-C | 4" | 2.05 | 8-5/8-11 UNC | 7.50 | 8.35 | 4.49 | 7.87 | 1.00 | 10.60 | n/a |
| B5121E500LL-C | 5" | 2.20 | 8-5/8-11 UNC | 8.50 | 9.53 | 5.00 | 8.39 | 1.00 | 10.60 | n/a |
| B5121E600LL-C | 6" | 2.20 | 8-5/8-11 UNC | 9.50 | 11.02 | 5.47 | 8.90 | 1.00 | 10.60 | n/a |
| B5121E800LL-C | 8" | 2.36 | 8-5/8-11 UNC | 11.75 | 13.19 | 6.89 | 10.24 | 1.25 | 12.60 | n/a |
| B5121E1000LL-G | 10" | 2.68 | 12-7/8-9 UNC | 14.25 | 15.94 | 8.00 | 11.50 | 3.21 | 9.84 | 8.86 |
| B5121E1200LL-G | 12" | 3.07 | 12-7/8-9 UNC | 17.00 | 19.09 | 9.53 | 13.27 | 3.21 | 11.80 | 8.86 |

All dimensions are in inches unless otherwise noted. Engineering dimensions are available upon request. Specifications are subject to change without notice.

W